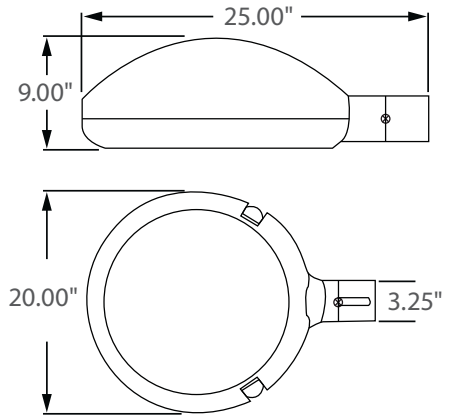


24VDC OPERATION



Incredible OFF GRID Operation

GENERAL DESCRIPTION

Neptun's LED parking lot fixtures combine architectural form and versatility to make it an excellent choice for new construction or retrofit applications. The 47 series fixture is offered in a variety of wattages to provide maximum flexibility in all types of applications. The 120 PCS High output LED's and custom engineered optics provide excellent uniformity and efficiency. The 24 Volt DC driver allows for compatible use with Solar or Wind powered systems. It can replace existing HID fixtures up to 250W

APPLICATION

- Solar Parking Lot Lighting
- Solar Street Lighting
- Solar Walkway Lighting
- Solar Area Lighting
- Solar Security Lighting
- Solar Storage Area Lighting

STRUCTURE, MATERIALS, & FEATURES

- Heavy-gauge, die-cast aluminum housing.
- Corrosion resistant electrocoat black finish (custom colors available).
- Slim, state of the art, low profile design for minimum wind load resistance.
- Heat and impact resistant tempered flat glass lens. (IESNA full-cutoff)
- Toolless entry gear box for easy maintenance and installation.
- Continuous silicone gasket surrounds lens for weather tight seal.
- Correlated Color Temperature of (5000°K) for greater visibility and safety.
- High power factor, 24 Volt DC driver.
- InstantON flicker-free Cold Start and Hot Re-Start.
- Up to 15 years Maintenance free operation.
- 5 Year Warranty on complete fixture. (LED's, Driver, & Housing)

ORDERING INFORMATION

Sample Number: LED-47100-24VDC-750-SF-BLK
Custom options and accessories available. Please consult factory

Source	Series	Wattage	Voltage	Color Temp	Mounting	Color
LED = LED	47 = Parking Lot Fixture	100 = 100 W 120 = 120 W 150 = 150 W	24VDC = 24 VDC	735 = 3500°K 741 = 4100°K 750 = 5000°K * * Standard	SF = Slip Fitter * SPA = Square Pole Adapter * Standard	BLK = Black BRZ = Dark Bronze * Custom Colors Available



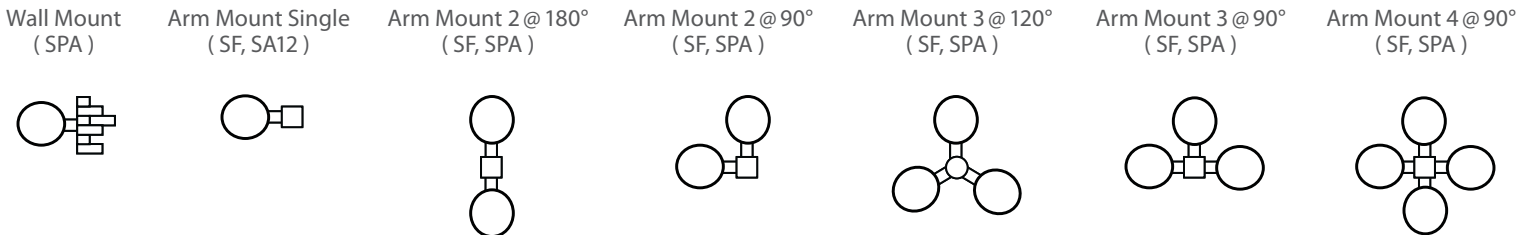
PRODUCT INFORMATION

Model No.	Description	Rated Watts	Input Watts	Initial Lumens	Input Line Voltage (VDC)	Max Line Current (Amp)	Power Factor	Weight
LED-47100-24VDC	LED Parking Lot Fixture	100	102	8,000	24	4.37	>0.98	30 lbs
LED-47120-24VDC	LED Parking Lot Fixture	120	122	9,000	24	5.25	>0.98	30 lbs
LED-47150-24VDC	LED Parking Lot Fixture	150	152	10,400	24	6.56	>0.98	30 lbs

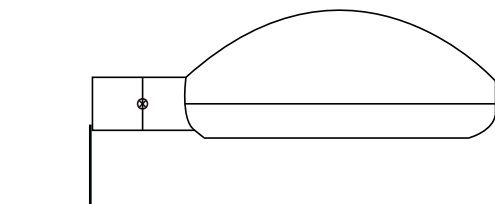
SPECIFICATIONS

- LED Driver Constant Current
- Power Supply 350mA
- Start Method InstantON
- Hot Re-start InstantON
- Input Line Voltage 24 VDC
- Input Line Frequency 50/60 Hz
- Driver Off-State Draw 0 Watts
- Sound Rating Class A
- LED / Driver System Life 70,000 Hrs.
- Lumen Maintenance @50,000Hrs > 70%
- Color Temperature 5000°K
- Color Rendering Index (CRI) > 70
- Minimum Starting Temperature -40°C
- Maximum Starting Temperature 50°C
- Lumens per Watt > 70
- Power Factor > 0.98
- Shock / Vibration Resistant Yes
- FCC Compliance Part 18, Subp. C
- EPA Rating 1.0
- Housing IP Rating IP65
- Warranty 5 Year

MOUNTING CONFIGURATION



MOUNTING OPTIONS

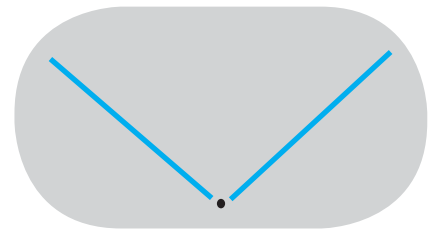


Slip Fitter Mount (SF)
Accepts 1-1/4" - 2-3/8" O.D.
Tenon or Pipe



Square Pole Adapter
Available for Pole or Wall Mount
(SPA)

PHOTOMETRICS (See Complete IES File)



TYPE III ASYMMETRICAL

Neptun Light, Inc.
13950 Business Center Drive
Lake Forest, IL 60045
Fax: 847.735.8004

Neptun Light, Inc. reserves the right to change materials or modify the design of its product without notification as part of the company's continuing product improvement program.
©2002-2013 Neptun Light, Inc. All rights reserved.

Spec. Rev. 1-2013