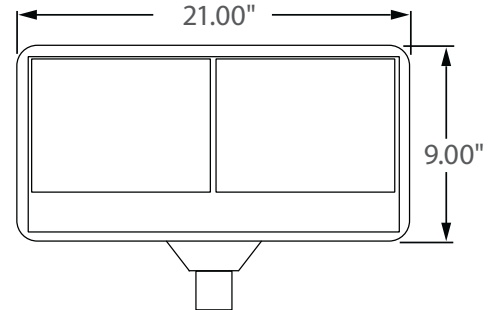


24VDC OPERATION



Incredible OFF GRID Operation

GENERAL DESCRIPTION

Neptun's LED Ad-Poster™ Modular M2 billboard fixtures combine architectural form and patented design to make it an excellent choice for retrofit or new billboard applications. The 60 PCS, High Output Cree LED's and custom engineered optics provide highly uniform illumination of various billboard sizes. The 24 Volt DC driver allows for compatible use with Solar or Wind powered systems. It can replace existing HID billboard fixtures up to 400W.

APPLICATION

- 25' Billboard requires 1 Unit

STRUCTURE, MATERIALS, & FEATURES

- Heavy-gauge, die-cast aluminum housing with cooling fins.
- Corrosion resistant electrocoat grey finish (custom colors available).
- Slim, state of the art, low profile design for minimum wind load resistance.
- Heat and impact resistant tempered flat glass lens.
- Continuous silicone gasketing surrounds optics for IP68 weather tight seal.
- 1-1/2" I.D. Slip Fitter Accepts up to 1-1/4" Pipe or Tenon. (hardware included)
- Correlated Color Temperature of (5700°K) for greater visibility.
- Patented constant light control output over 75,000 hrs. life.
- High power factor, 24VDC driver.
- InstantON flicker-free Cold Start and Hot Re-Start.
- Up to 15 years Maintenance free operation.
- 10 Year Warranty on complete fixture. (LED's, Driver, & Housing)

ORDERING INFORMATION

Sample Number: LED-87090-M2-24VDC
Custom options and accessories available. Please consult factory

Source	Series	Wattage	Module	Voltage
LED = LED	87 = Modular Billboard Fixture	090 = 90 W	M2 = 2 Modules	24VDC = 24 VDC



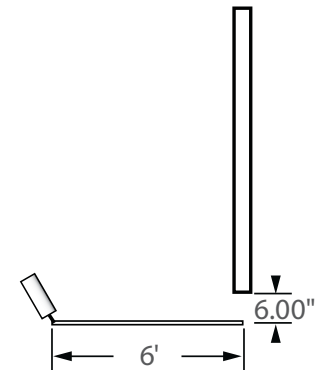
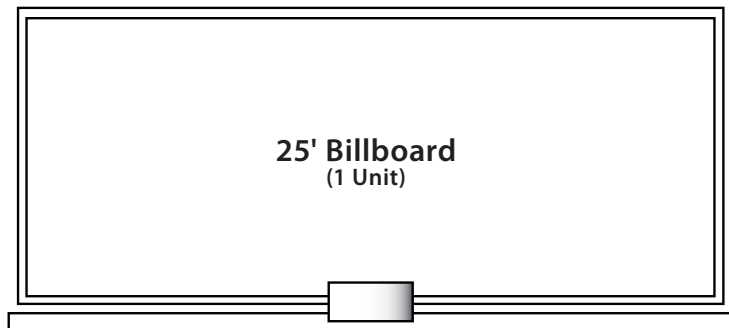
PRODUCT INFORMATION

Model No.	Description	Rated Watts	Input Watts	Initial Lumens	Input Line Voltage (VDC)	Max Line Current (Amp)	Power Factor	Weight
LED-87090-M2-24VDC	LED Billboard Fixture	90	92	9,000	24	3.93	>0.98	25 lbs

SPECIFICATIONS

- LED Driver Constant Current
- Power Supply 350mA
- Start Method InstantON
- Hot Re-start InstantON
- Input Line Voltage 24VDC
- Input Line Frequency 50/60 Hz
- Ballast Off-State Draw 0 Watts
- Sound Rating Class A
- ANSI Surge Protection Class A
- LED / Driver System Life 75,000 Hrs.
- Lumen Maintenance @50,000Hrs > 70%
- Color Temperature 5,700°K
- Color Rendering Index (CRI) >70
- Minimum Starting Temperature -35°C
- Maximum Starting Temperature 50°C
- Lumens per Watt > 90
- Shock / Vibration Resistant Yes
- Power Factor > 0.98
- Inrush Current Peak < 10 Amp
- ETL Listed / UL Standard 1598 Yes
- FCC Compliance Part 18, Subp. C
- Housing IP Rating IP65
- Driver IP Rating IP67
- Optics IP Rating IP68
- Warranty 10 Year

COVERAGE RECOMMENDATIONS



MOUNTING OPTIONS

Slip Fitter



1-1/2" I.D.
Accepts up to 1-1/4"
Round or Square Pole

FOR BEST RESULTS

- Fixtures should be mounted at least 6 ft. from the surface of the board
- Fixtures should be mounted at 30° pre-adjusted at factory.

Neptun Light, Inc.
13950 Business Center Drive
Lake Forest, IL 60045
Fax: 847.735.8004

Neptun Light, Inc. reserves the right to change materials or modify the design of its product without notification as part of the company's continuing product improvement program.
©2002-2013 Neptun Light, Inc. All rights reserved.

Spec. Rev. 1-2013