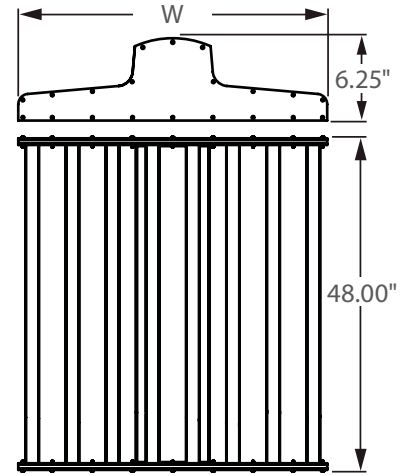




### Dimensions

Model No.	Width (W)
LED-T8M4	14.00 in.
LED-T8M6	18.00 in.
LED-T8M8	24.00 in.



\*\* AVAILABLE \*\*

Bi-Level Dimming  
100% 50%

0 - 10V  
FULL DIMMING

Incredible **75,000** hrs

## GENERAL DESCRIPTION

Neptun's High Output T8 LED Linear High-Bay fixtures combine classic form and versatility to make it an excellent choice for new construction or retrofit applications. The frosted polycarbonate lens optics allow for an even glow illumination. It can replace existing 8-Lamp T8, HID & HPS fixtures up to 400W.

## APPLICATION

- Warehouse Lighting
- Factory Lighting
- Convention Center Lighting
- Retail Lighting
- Showroom Lighting
- Area & Storage Lighting
- Gymnasium Lighting

## STRUCTURE, MATERIALS, & FEATURES

- Die cast aluminum housing.
- Corrosion resistant electrocoat white finish.
- High Output LED Strips with heat sink backing for excellent thermal management.
- Frosted polycarbonate lens for even glow illumination.
- 4 Point Hanging mount with Gripple hanging system included.
- High power factor, low THD driver with 6kV/3kA surge protection.
- Instant-On flicker-free Cold Start and Hot Re-Start.
- Up to 20 year maintenance free operation.
- 5 Year Warranty on complete fixture. (LED's, Driver, & Housing)
- Optional:** Bi-Level Dimming, 0-10V Dimming, Wi-Fi Control, Remote Monitoring and ON/ OFF Control

## ORDERING INFORMATION

Sample Number: LED-T8M8-180-UNV-BL-DIM-850-MD-C3  
Custom options and accessories available. Please consult factory

Series	Wattage	Voltage	Options	CCT	Accessories	Options
<b>LED-T8</b> = 4' Linear High Bay	<b>M4-080</b> = 80W <b>M4-100</b> = 100W <b>M6-120</b> = 120W <b>M6-140</b> = 140W <b>M8-160</b> = 160W <b>M8-180</b> = 180W	<b>UNV</b> = 120-277 VAC <b>347V</b> = 347 VAC <b>480V</b> = 480 VAC	<b>0-10VDIM</b> = 0-10V Dimming <b>BL-DIM</b> = Bi-Level Dimming * * Includes Motion Sensor ** Contact Factory for dimming options.	<b>835</b> = 3500°K <b>841</b> = 4100°K <b>850</b> = 5000°K * * Standard	<b>MD</b> = Motion Sensor ON/OFF <b>DLH</b> = Day Light Harvesting* <b>FSP-211</b> = Wattstopper FSP-211 Sensor system (Bi-Level) ** * Offered with 0-10V Dimming) ** Used with BL-DIM system	<b>C3*</b> = 3' Cord-No Plug (other lengths available C6 = 6' cord) <b>PC3</b> = 3' Cord with NEMA Plug (verify plug type when ordering) * Standard



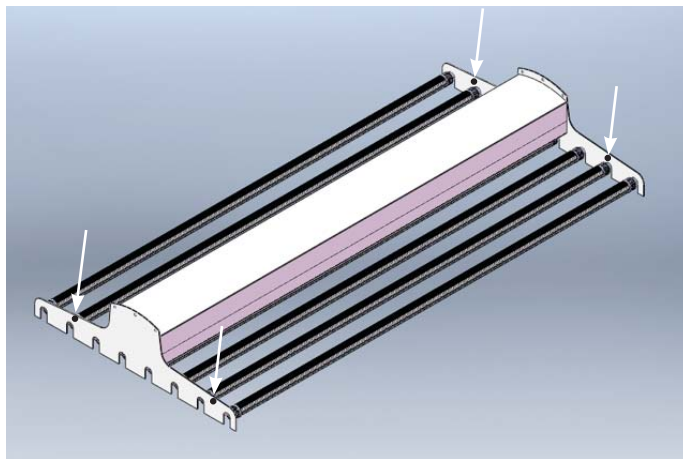
### PRODUCT INFORMATION

Model No.	Description	Input Watts	Delivered Lumens	Universal Line Voltage (VAC)	Max Line Current (Amp) @ 120 - 277	THD	Power Factor	Weight
LED-T8M4-080-UNV	4 Lamp Linear Fixture	82	9,840	120-277	0.69 - 0.30	<15%	>0.95	7 lbs
LED-T8M4-100-UNV	4 Lamp Linear Fixture	102	12,240	120-277	0.87 - 0.37	<15%	>0.95	7 lbs
LED-T8M6-120-UNV	6 Lamp Linear Fixture	122	14,640	120-277	1.05 - 0.45	<15%	>0.95	8 lbs
LED-T8M6-140-UNV	6 Lamp Linear Fixture	142	17,040	120-277	1.22 - 0.53	<15%	>0.95	8 lbs
LED-T8M8-160-UNV	8 Lamp Linear Fixture	162	19,440	120-277	1.39 - 0.60	<15%	>0.95	10 lbs
LED-T8M8-180-UNV	8 Lamp Linear Fixture	182	21,840	120-277	1.57 - 0.68	<15%	>0.95	10 lbs

### SPECIFICATIONS

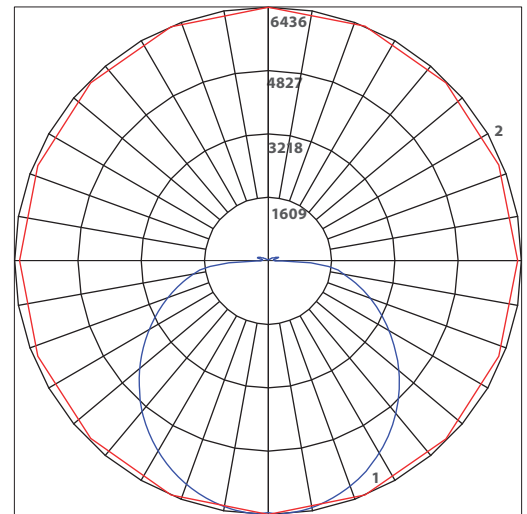
- Driver ..... Constant Current
- Start Method ..... InstantON
- Hot Re-start ..... InstantON
- Driver UL Rating ..... Class 1
- Driver UL Outdoor Rated ..... Wet Location
- Sound Rating ..... Class A
- ANSI Surge Protection ..... IEEE C62.41 C High
- Driver Off-State Draw ..... 0 Watts
- Universal Input Line Voltage ..... 120-277 VAC
- Input Line Frequency ..... 50/60 Hz
- Projected (L70) @ 25°C ..... > 80,000 hrs.
- Color Temperature ..... Multiple (± 300°K)
- Color Rendering Index (CRI) ..... > 80
- Minimum Starting Temperature ..... -40°C
- Maximum Starting Temperature ..... +50°C
- Lumens per Watt ..... > 120
- Shock / Vibration Resistant ..... Yes
- Power Factor ..... > 0.95
- Total Harmonic Distortion ..... < 15%
- Inrush Current Peak ..... < 10 Amp
- FCC Compliance ..... Part 15, Subp. C
- Housing IP Rating ..... IP43
- Driver IP Rating ..... IP67
- Warranty ..... 5 Year

### MOUNTING OPTIONS



4 Point Hanging Mount  
Grippler Hangers Included

### PHOTOMETRICS (See Complete IES File)



IES Indoor Report  
Polar Graph  
Maximum Calculated Value: 8964.387

NEPTUN LIGHT, INC.  
LED-T8M-180-UNV

Neptun Light, Inc.  
13950 Business Center Drive  
Lake Forest, IL 60045  
Fax: 847.735.8004

Neptun Light, Inc. reserves the right to change materials or modify the design of its product without notification as part of the company's continuing product improvement program.  
©2002-2018 Neptun Light, Inc. All rights reserved.

Spec. Rev. 2-2018