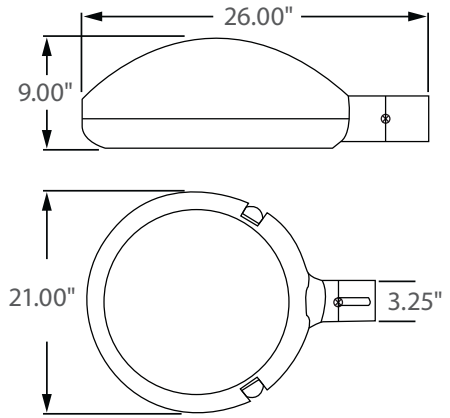




Not all products are qualified on the DLC QPL. To view our DLC qualified products, please consult the DLC Qualified Products List at [www.designlights.org/qpl](http://www.designlights.org/qpl)



Incredible **100,000** hrs

### GENERAL DESCRIPTION

Neptun's LED parking lot fixtures combine architectural form and versatility to make it an excellent choice for new construction or retrofit applications. The LED-47 series fixture is offered in a variety of wattages to provide maximum flexibility in all types of applications. The High Output LED's and custom engineered optics provide excellent uniformity and efficiency. It can replace existing HID & HPS fixtures up to 400W

### APPLICATION

- Parking Lot Lighting
- Street Lighting
- Walkway Lighting
- Area Lighting
- Security Lighting
- Storage Area Lighting

### STRUCTURE, MATERIALS, & FEATURES

- Heavy-gauge, die-cast aluminum housing.
- Corrosion resistant electrocoat bronze finish (custom colors available).
- 2.50" I.D. Slip Fitter Accepts up to 2-3/8" Pipe or Tenon.
- Slim, state of the art, low profile design for minimum wind load resistance.
- Correlated Color Temperature of (5000°K) for greater visibility and safety.
- High Output COB LED's.
- Driver with built in Neptun Surge Protective Device (NSPD) provides single phase protection for Line/Neutral, Line/Ground, and Neutral/Ground in accordance with IEEE C62.41 C High (10kV & 10kA).
- InstantON flicker-free Cold Start and Hot Re-Start.
- Up to 15 years Maintenance free operation.
- 10 Year Warranty on complete fixture. (LED's, Driver, & Housing)
- **Optional:** 0-10V Dimming, Bi-Level Dimming, Remote Monitoring and ON/OFF Control, DC 24V Operation - Solar Compatible

### ORDERING INFORMATION

Sample Number: LED-47100-UNV-0-10VDIM-850-T3-BRZ  
Custom options and accessories available. Please consult factory

Series	Wattage	Voltage	Options	Color Temp	Accessories	Optics	Color
LED-47 = Area Fixture	100 = 100 W 120 = 120 W 150 = 150 W	UNV = 120-277 VAC 347V = 347VAC 480V = 480VAC 24VDC = 24VDC	0-10VDIM = 0-10V Dimming BL-DIM = Bi-Level Dimming * * Includes Pole Mounted Motion Sensor ** Contact factory for dimming options	835 = 3500°K 841 = 4100°K 850 = 5000°K * * Standard	MDP = Pole Mounted Motion Sensor	T3 = Type 3 T5 = Type 5	BRZ = Bronze * Custom Colors Available



lightinnovations@work™

### PRODUCT INFORMATION

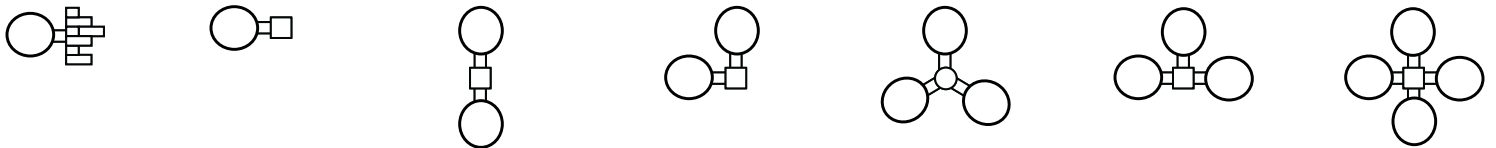
Model No.	Description	Rated Watts	Input Watts	Initial Lumens	Universal Line Voltage (VAC)	Max Line Current (Amp) @ 120 - 277	THD	Power Factor	Weight
LED-47100-UNV	LED Parking Lot Fixture	100	102	10,200	120-277	0.87 - 0.37	<20%	>0.90	30 lbs
LED-47120-UNV	LED Parking Lot Fixture	120	122	12,200	120-277	1.05 - 0.45	<20%	>0.90	30 lbs
LED-47150-UNV	LED Parking Lot Fixture	150	152	15,200	120-277	1.31 - 0.56	<20%	>0.90	30 lbs

### SPECIFICATIONS

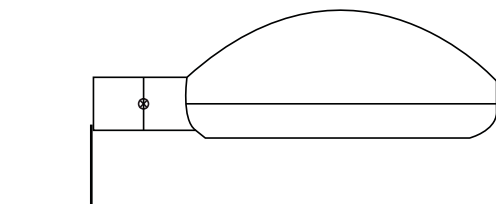
- Driver ..... Constant Current
- Start Method ..... InstantON
- Hot Re-start ..... InstantON
- Power Supply ..... 350mA
- Driver UL Rating ..... Class 1
- Driver UL Outdoor Rated ..... Wet Location
- Sound Rating ..... Class A
- ANSI Surge Protection ..... IEEE C62.41 C High
- Current Crest Factor ..... 1.5 maximum
- Load Regulation: 5% output current variation across load range
- Line Regulation: 1% output voltage variation across voltage range
- Driver Off-State Draw ..... 0 Watts
- Vibration Compliance ..... 3G
- Universal Input Line Voltage ..... 120-277 VAC
- Input Line Frequency ..... 50/60 Hz
- Projected (L70) @ 25°C ..... > 100,000 hrs.
- Color Temperature ..... 5,000°K
- Color Rendering Index (CRI) ..... > 80
- Minimum Starting Temperature ..... -40°C
- Maximum Starting Temperature ..... +50°C
- Lumens per Watt ..... > 100
- Shock / Vibration Resistant ..... Yes
- Power Factor ..... > 0.90
- Total Harmonic Distortion ..... < 20%
- Inrush Current Peak ..... < 10 Amp
- FCC Compliance ..... Part 15, Subp. C
- ETL Listed / UL Standard 1598 ..... Yes
- EPA Rating ..... 1.57 ft.<sup>2</sup>
- Driver IP Rating ..... IP67
- Optics IP Rating ..... IP68
- Warranty ..... 10 Year

### MOUNTING CONFIGURATION

Wall Mount (SPA Mount)    Tenon Mount Single    Tenon Mount 2 @ 180°    Tenon Mount 2 @ 90°    Tenon Mount 3 @ 120°    Tenon Mount 3 @ 90°    Tenon Mount 4 @ 90°



### MOUNTING OPTIONS

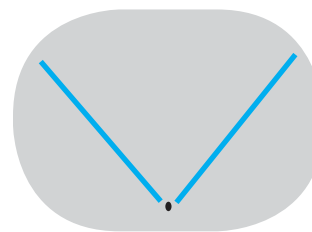


**Slip Fitter Mount**  
Accepts 1-1/4" - 2-3/8" O.D.  
Tenon or Pipe

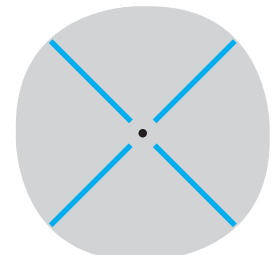


**Square Pole Adapter**  
Available for Pole or Wall Mount  
(SPA) - Order Separately

### PHOTOMETRICS (See Complete IES File)



**Type 3 Distribution**



**Type 5 Distribution**

Neptun Light, Inc.  
13950 Business Center Drive  
Lake Forest, IL 60045  
Fax: 847.735.8004

Neptun Light, Inc. reserves the right to change materials or modify the design of its product without notification as part of the company's continuing product improvement program.  
©2002-2013 Neptun Light, Inc. All rights reserved.      Spec. Rev. 4-2015