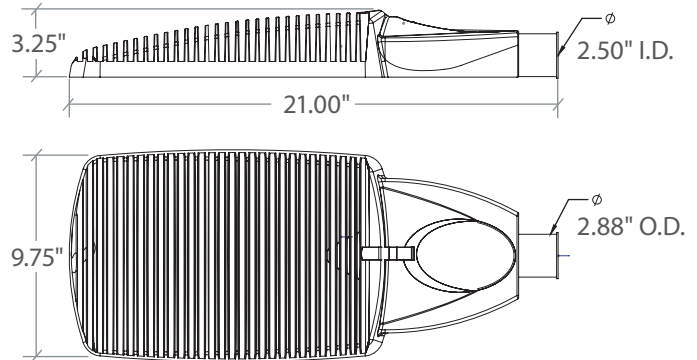


### 24VDC OPERATION



## Incredible OFF GRID Operation

### GENERAL DESCRIPTION

Neptun's Kometa™ Mini LED Street Light fixtures combine architectural form and versatility to make it an excellent choice for new construction or retrofit applications. The Kometa fixture is offered in a variety of wattages to provide maximum flexibility in all types of applications. Custom engineered Type II & III Asymmetrical optics provide excellent uniformity and efficiency. The 24 Volt DC driver allows for compatible use with Solar or Wind powered systems. It can replace existing HID fixtures up to 150W.

### APPLICATION

- Solar Street Lighting
- Solar Pathway Lighting
- Solar Parking Lot Lighting
- Solar Security Lighting
- Solar Storage Area Lighting

### STRUCTURE, MATERIALS, & FEATURES

- Heavy-gauge, die-cast aluminum housing with cooling fins.
- Corrosion resistant electrocoat grey finish (custom colors available).
- Slim, state of the art, low profile design for minimum wind load resistance.
- Heat and impact resistant tempered flat glass lens. (IESNA full-cutoff)
- Toolless entry gear box for easy maintenance and installation.
- Continuous silicone gasketing surrounds lens for IP66 weather tight seal.
- Optional NEMA Twistlock Photocell for increased energy savings.
- Correlated Color Temperature of (5000°K) for greater visibility and safety.
- 40 PCS High Output LED's.
- High power factor, 24 Volt DC driver.
- InstantON flicker-free Cold Start and Hot Re-Start.
- Up to 15 years Maintenance free operation.
- 5 Year Warranty on complete fixture. (LED's, Driver, & Housing)

### ORDERING INFORMATION

Sample Number: LED-451040-24VDC-750-T2A-LD-DGRY  
 Custom options and accessories available. Please consult factory

Type	Series	Wattage	Voltage	Color Temp	Optics	Accessories	Color
LED	451 = Street Light	040 = 40 W 050 = 50 W 060 = 60 W 070 = 70 W 080 = 80 W	24VDC = 24 VDC	735 = 3500°K 741 = 4100°K 750 = 5000°K * * Standard	T2A = Type II Asymmetrical T3A = Type III Asymmetrical	LD = Light Sensor/Photocell NEMA Twistlock	GRY = Grey



### PRODUCT INFORMATION

Model No.	Description	Rated Watts	Input Watts	Initial Lumens	Input Line Voltage (VDC)	Max Line Current (Amp)	Power Factor	Weight
LED-451040-24VDC	LED Mini Street Light	40	42	3,280	24	1.74	>0.98	26 lbs
LED-451050-24VDC	LED Mini Street Light	50	52	4,000	24	2.18	>0.98	26 lbs
LED-451060-24VDC	LED Mini Street Light	60	62	4,800	24	2.62	>0.98	26 lbs
LED-451070-24VDC	LED Mini Street Light	70	72	5,600	24	3.06	>0.98	26 lbs
LED-451080-24VDC	LED Mini Street Light	80	82	6,400	24	3.49	>0.98	26 lbs

### SPECIFICATIONS

- LED Driver ..... Constant Current
- Power Supply ..... 350mA
- Start Method ..... InstantON
- Hot Re-start ..... InstantON
- Input Line Voltage ..... 24 VDC
- Input Line Frequency ..... 50/60 Hz
- Driver Off-State Draw ..... 0 Watts
- Sound Rating ..... Class A
- LED / Driver System Life ..... 70,000 Hrs.
- Lumen Maintenance @50,000Hrs ..... > 70%
- Color Temperature ..... 5000°K
- Color Rendering Index (CRI) ..... > 70
- Minimum Starting Temperature ..... -40°C
- Maximum Starting Temperature ..... 50°C
- Lumens per Watt ..... > 70
- Power Factor ..... > 0.98
- Shock / Vibration Resistant ..... Yes
- FCC Compliance ..... Part 18, Subp. C
- EPA Rating ..... 0.71
- Housing IP Rating ..... IP65
- Optics IP Rating ..... IP66
- Warranty ..... 5 Year

### MOUNTING OPTIONS



Accepts  
1-1/4" - 2-3/8" O.D.  
Tenon or Pipe

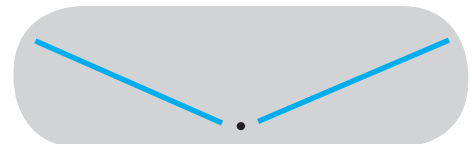


(2) 5-16" Stainless Steel Bolts

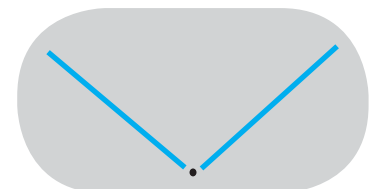
### PHOTOMETRICS (See Complete IES File)



TYPE II



TYPE II ASYMMETRICAL



TYPE III ASYMMETRICAL

Neptun Light, Inc.  
13950 Business Center Drive  
Lake Forest, IL 60045  
Fax: 847.735.8004

Neptun Light, Inc. reserves the right to change materials or modify the design of its product without notification as part of the company's continuing product improvement program.  
©2002-2013 Neptun Light, Inc. All rights reserved.

Spec. Rev. 1-2013