

Incredible **100,000 hrs**

GENERAL DESCRIPTION

Neptun's Induction 16" Polycarbonate Low-Bay fixtures combine classic form and versatility to make it an excellent choice for new construction or retrofit applications. The polycarbonate refractor offers excellent optics with horizontal and vertical footcandles. The 16" housing is offered in a variety of wattages to provide maximum flexibility in all types of applications. It can replace existing HID & HPS fixtures up to 300W.

APPLICATION

- Warehouse Lighting
- Factory Lighting
- Retail Lighting
- Showroom Lighting
- Grocery Store Lighting
- Area & Storage Lighting
- Gymnasium Lighting

STRUCTURE, MATERIALS, & FEATURES

- 16" High Efficiency, heat and impact resistant, UV protected, non yellowing, polycarbonate refractor.
- Corrosion resistant die-cast aluminum gear box with white electrocoat finish.
- Inductively coupled circular induction bulb.
- High power factor, low THD electronic ballast with surge protection.
- Instant-On flicker-free Cold Start and Hot Re-Start.
- High quality glare-free light with high CRI above (83).
- Bright white light (5000°K) for greater visibility and safety.
- Advance phosphors for high lumen output and high lumen maintenance.
- Up to 20 year maintenance free operation.
- 10 Year Warranty.

ORDERING INFORMATION

Sample Number: 17050-PC-UNV-850-MD-PL-C3
 Custom options and accessories available. Please consult factory

Series	Wattage	Reflector	Voltage	Color Temp	Accessories	Options
17 = 16" Low-Bay	050 = 50 W 080 = 80 W 100 = 100 W 120 = 120 W 150 = 150 W	PC = Polycarbonate	UNV = 120-277 VAC 347V = 347 VAC 480V = 480 VAC	830 = 3000°K 841 = 4100°K 850 = 5000°K* * Standard	MD = Motion Detector	PL = Polycarbonate Lens C3* = 3' Cord-No Plug (other lengths available by specifying cord length C6 = 6' cord) PC3 = 3' Cord with NEMA Plug (verify plug type when ordering) * Standard



lightinnovations@work™

PRODUCT INFORMATION

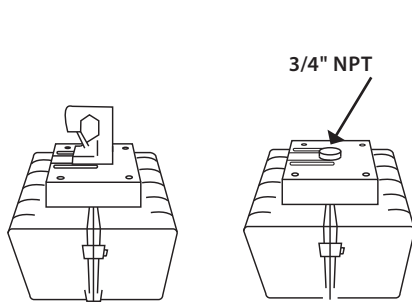
Model No.	Description	Rated Watts	Input Watts	Initial Lumens	Universal Line Voltage (VAC)	Max Line Current (Amp) @ 120 - 277	THD	Power Factor	Weight
17050-PC-UNV	16" Low-Bay Fixture	50	51	4,000	120-277	0.46-0.21	<10%	0.98	18 lbs
17080-PC-UNV	16" Low-Bay Fixture	80	82	5,600	120-277	0.69-0.30	<10%	0.98	18 lbs
17100-PC-UNV	16" Low-Bay Fixture	100	105	8,000	120-277	0.87-0.37	<10%	0.98	18 lbs
17120-PC-UNV	16" Low-Bay Fixture	120	125	9,600	120-277	1.05-0.45	<10%	0.98	20 lbs
17150-PC-UNV	16" Low-Bay Fixture	150	158	12,000	120-277	1.31-0.56	<10%	0.98	20 lbs

SPECIFICATIONS

- Ballast Type Electronic
- Start Method InstantON
- Hot Re-start InstantON
- Universal Input Line Voltage 120-277 VAC
- Lamp Operating Frequency 250 kHz
- Ballast Off-State Draw 0 Watts
- Sound Rating Class A
- ANSI Surge Protection Class A
- Lamp / Ballast System Life 100,000 Hrs.
- Lumen Maintenance @75,000Hrs > 70%
- Color Temperature 5000°K
- Color Rendering Index (CRI) 83
- Minimum Starting Temperature -20°F
- Maximum Starting Temperature 160°F
- Lumens per Watt 80
- Shock / Vibration Resistant Yes
- Power Factor > 0.98
- Total Harmonic Distortion < 10%
- Inrush Current Peak < 10 Amp
- ETL Listed / UL Standard 1598 Yes
- FCC Compliance Part 18, Subp. C
- IP Rating IP43
- Warranty 10 Year

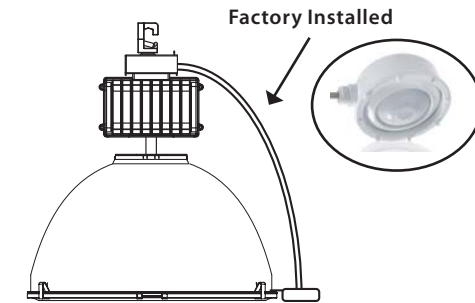
MOUNTING OPTIONS

PHOTOMETRICS (See Complete IES File)

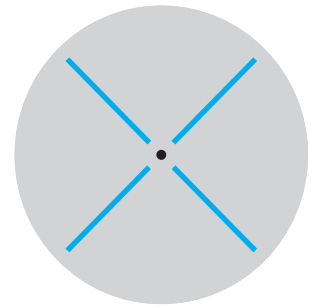


Hook Mount (Standard)

Pendant Mount



Motion Sensor (MD)
Day Light Harvest Sensor (DLH)



Type V Distribution

Neptun Light, Inc.
13950 Business Center Drive
Lake Forest, IL 60045
Fax: 847.735.8004

Neptun Light, Inc. reserves the right to change materials or modify the design of its product without notification as part of the company's continuing product improvement program.
©2002-2016 Neptun Light, Inc. All rights reserved.

Spec. Rev. 4-2016