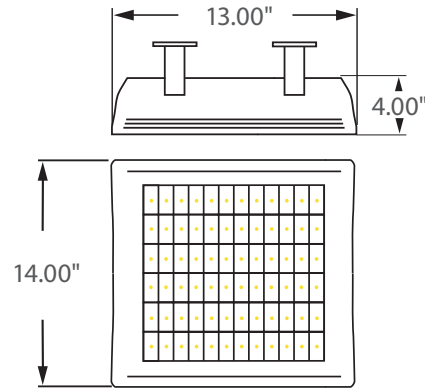


24VDC OPERATION



Incredible OFF GRID Operation

GENERAL DESCRIPTION

Neptun's 14" low-profile LED canopy fixture features classic design and durability to be used in new construction or retrofit applications. The 49 series canopy fixture features excellent optics and its rugged design allows for use in a variety of indoor and outdoor applications. The 24 Volt DC driver allows for compatible use with Solar or Wind powered systems. It can replace existing HID canopy or parking garage fixtures up to 200 Watts.

APPLICATION

- Solar Parking Garage Lighting
- Solar Canopy Lighting
- Solar Gas Station Lighting
- Solar Indoor Lighting
- Solar Storage Lighting
- Solar Security Lighting
- Solar Area Lighting

STRUCTURE, MATERIALS, & FEATURES

- Heavy-gauge, die-cast aluminum housing with cooling fins.
- Heat and impact resistant tempered glass lens with anti-glare diffuser.
- Corrosion resistant electrocoat dark grey finish (custom colors available).
- Continuous silicone gasketing surrounds lens for weather - tight seal.
- 72 PCS High Output LED's.
- High power factor, 24 Volt DC driver.
- Instant-On flicker-free Cold Start and Hot Re-Start.
- Bright white light (5000°K) for greater visibility and safety.
- LED engine design with Advanced Thermal Management
- Up to 15 year maintenance free operation.
- 5 Year Warranty on complete fixture. (LED's, Driver, & Housing)

ORDERING INFORMATION

Sample Number: LED-49040-14-24VDC-750-DGRY
 Custom options and accessories available. Please consult factory

Source	Series	Wattage	Size	Voltage	Color Temp	Accessories	Color
LED	49 = Low-Profile	040 = 40 W 055 = 55 W 070 = 70 W	14 = 14" Housing	24VDC= 24 VDC	735 = 3500°K 741 = 4100°K 750 = 5000°K* *Standard	LD = Photocell /Light Detector MD = Motion Sensor Detector	DGRY = Dark Grey * Custom Colors available



PRODUCT INFORMATION

Model No.	Description	Rated Watts	Input Watts	Initial Lumens	Input Line Voltage (VDC)	Max Line Current (Amp)	Power Factor	Weight
LED-49040-14-24VDC	LED Low-Profile Fixture	40	42	3,200	24	1.74	>0.98	26 lbs
LED-49055-14-24VDC	LED Low-Profile Fixture	55	57	4,400	24	2.40	>0.98	26 lbs
LED-49070-14-24VDC	LED Low-Profile Fixture	70	72	5,600	24	3.06	>0.98	26 lbs

SPECIFICATIONS

- LED Driver Constant Current
- Power Supply 350mA
- Start Method InstantON
- Hot Re-start InstantON
- Universal Input Line Voltage 24 VDC
- Input Line Frequency 50/60 Hz
- Driver Off-State Draw 0 Watts
- Sound Rating Class A
- LED / Driver System Life 70,000 Hrs.
- Lumen Maintenance @50,000Hrs > 70%
- Color Temperature 5000°K
- Color Rendering Index (CRI) >70
- Minimum Starting Temperature -40°C
- Maximum Starting Temperature 50°C
- Lumens per Watt > 79
- Shock / Vibration Resistant Yes
- Power Factor > 0.98
- ETL Listed / UL Standard 1598 Yes
- FCC Compliance Part 18, Subp. C
- IP Rating IP65
- Warranty 5 Year

MOUNTING OPTIONS

Surface Mount



Adjustable Mounting Brackets (Standard)

Hanging Mount

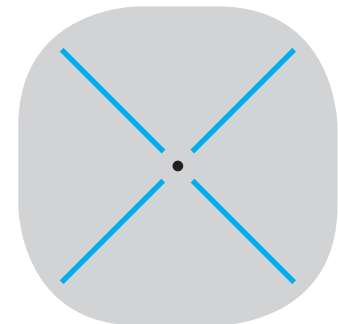


Supplied with Gripple Hangers (GPPL)



Pendant Mount
3/4" K.O.
(PDM)

PHOTOMETRICS (See Complete IES File)



Type V Distribution

Neptun Light, Inc.
13950 Business Center Drive
Lake Forest, IL 60045
Fax: 847.735.8004

Neptun Light, Inc. reserves the right to change materials or modify the design of its product without notification as part of the company's continuing product improvement program.
©2002-2013 Neptun Light, Inc. All rights reserved.

Spec. Rev. 1-2013