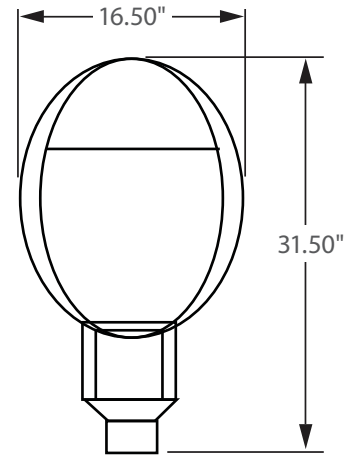




**** AVAILABLE ****

Bi-Level Dimming
100% 50%

0 - 10V
FULL DIMMING



Incredible **100,000** hrs

GENERAL DESCRIPTION

Neptun's LED Round Post-Top fixture combines classic form and versatility to make it an excellent choice for new construction or retrofit applications. The LED-535 series post-top fixture is offered in a variety of wattages to provide maximum flexibility in all types of applications. It can replace existing HID & HPS fixtures up to 400W.

APPLICATION

- Parking Lot Lighting
- Car Lot Lighting
- Area & Storage Lighting
- Street Lighting
- Walkway Lighting

STRUCTURE, MATERIALS, & FEATURES

- Heavy-gauge, die-cast aluminum housing.
- 2-5/8" I.D. Slip Fitter Accepts up to 2-1/2" Pipe or Tenon.
- Corrosion resistant electrocoat dark bronze finish. (custom colors available)
- Post-top mounting system incorporates stainless steel hardware.
- Correlated Color Temperature of (5000°K) for greater visibility and safety.
- High Output COB LED's with borosilicate glass lens optics.
- High power factor, low THD driver with 6kV/3kA surge protection.
Optional 20kV/10kA surge protector available.
- InstantON flicker-free Cold Start and Hot Re-Start.
- Up to 20 years Maintenance free operation.
- 5 Year Warranty on complete fixture. (LED's, Driver, & Housing)
- **Optional:** 0-10V Dimming, Bi-Level Dimming, Wi-Fi Control, Remote Monitoring and ON/ OFF Control, DC 24V Operation - Solar Compatible

ORDERING INFORMATION

Sample Number: LED-535080-UNV-0-10VDIM-850-MD-BRZ
Custom options and accessories available. Please consult factory

| Series | Wattage | Voltage | Options | Color Temp | Accessories | Color |
|--------------------------|---|---|---|---|---|---|
| LED-535 = Round Post-Top | 040 = 40 W 060 = 60 W 080 = 80 W 100 = 100 W 120 = 120 W 150 = 150 W | UNV = 120-277 VAC 347V = 347 VAC 480V = 480 VAC 24VDC = 24 VDC | 0-10VDIM = 0-10V Dimming BL-DIM = Bi-Level Dimming * * Includes Motion Sensor ** Contact Factory for dimming options | 830 = 3000°K 835 = 3500°K 841 = 4100°K 850 = 5000°K AMB = Amber (585-595nm) | MD = Motion Sensor ON/OFF SP = 20kV/10kA surge protector FSP-211 = Wattstopper Sensor (used with bi-level dimming option) | BRZ = Bronze * Custom Colors Available |



lightinnovations@work™

PRODUCT INFORMATION

| Model No. | Description | Input Watts | Delivered Lumens | Universal Line Voltage (VAC) | Max Line Current (Amp) @ 120 - 277 | THD | Power Factor | Weight |
|----------------|------------------------|-------------|------------------|------------------------------|------------------------------------|------|--------------|--------|
| LED-535040-UNV | LED Area Light Fixture | 42 | 5,460 | 120-277 | 0.45 - 0.15 | <15% | >0.95 | 35 lbs |
| LED-535060-UNV | LED Area Light Fixture | 62 | 8,060 | 120-277 | 0.52 - 0.22 | <15% | >0.95 | 35 lbs |
| LED-535080-UNV | LED Area Light Fixture | 82 | 10,600 | 120-277 | 0.69 - 0.30 | <15% | >0.95 | 35 lbs |
| LED-535100-UNV | LED Area Light Fixture | 102 | 13,250 | 120-277 | 0.87 - 0.37 | <15% | >0.95 | 35 lbs |
| LED-535120-UNV | LED Area Light Fixture | 122 | 15,800 | 120-277 | 1.05 - 0.45 | <15% | >0.95 | 35 lbs |
| LED-535150-UNV | LED Area Light Fixture | 152 | 19,700 | 120-277 | 1.31 - 0.56 | <15% | >0.95 | 35 lbs |

SPECIFICATIONS

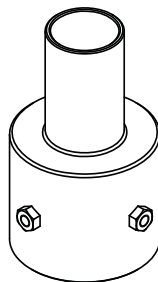
- Driver Constant Current
- Start Method InstantON
- Hot Re-start InstantON
- Driver UL Rating Class 1
- Driver UL Outdoor Rated Wet Location
- Sound Rating Class A
- ANSI Surge Protection IEEE C62.41 C High
- Current Crest Factor 1.5 maximum
- Load Regulation: 5% output current variation across load range
- Line Regulation: 1% output voltage variation across voltage range
- Driver Off-State Draw 0 Watts
- Vibration Compliance 3G
- Universal Input Line Voltage 120-277 VAC
- Input Line Frequency 50/60 Hz
- Projected (L70) @ 25°C > 100,000 hrs.
- Color Temperature Multiple (± 300°K)
- Color Rendering Index (CRI) > 80
- Minimum Starting Temperature -40°C
- Maximum Starting Temperature +50°C
- Lumens per Watt > 130
- Shock / Vibration Resistant Yes
- Power Factor > 0.95
- Total Harmonic Distortion < 15%
- Inrush Current Peak < 10 Amp
- FCC Compliance Part 15, Subp. C
- EPA Rating 1.20 ft.²
- Driver IP Rating IP67
- Optics IP Rating IP68
- Warranty 5 Year

MOUNTING OPTIONS



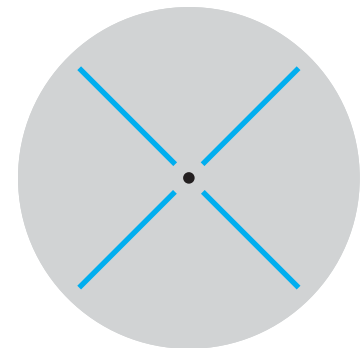
Accepts up to 2-1/2" O.D.
Round Tenon or Pole

ARM:RPTR (contact factory)



Round Pole Tenon Reducers
available for 3", 4", & 5" O.D. Poles

PHOTOMETRICS (See Complete IES File)



Type V Distribution

Neptun Light, Inc.
13950 Business Center Drive
Lake Forest, IL 60045
Fax: 847.735.8004

Neptun Light, Inc. reserves the right to change materials or modify the design of its product without notification as part of the company's continuing product improvement program.
©2002-2018 Neptun Light, Inc. All rights reserved.

Spec. Rev. 1-2018