

**0 - 10V**  
**FULL DIMMING**

**EDGE LIT**

**Incredible 70,000 hrs**

### GENERAL DESCRIPTION

Neptun's high performance Edge Lit LED 2 x 4 drop in panels with 0-10V full dimming system combine architectural form and versatility to make it an excellent choice for new construction or retrofit applications. The 52 series panels are offered in a variety of color temperatures for flexibility in all types of applications. The edge lit design produces an evenly illuminated glow. Very low temperature operation saves on HVAC costs and long life greatly reduces maintenance costs. Its 0-10V dimming system allows for 100%-0% light output for increased energy savings. Easily installs into most commonly used T-Bar grids.

### APPLICATION

- Office Lighting
- School Lighting
- Healthcare Lighting

### STRUCTURE, MATERIALS, & FEATURES

- Heat sink aluminum frame for excellent heat dissipation.
- Aluminum backing for excellent thermal management.
- Polyester powder coated frame with white finish.
- Slim, state of the art, low profile design.
- Remote options of dimming interfaces: Wireless Wi-Fi, Wired Ethernet.
- Correlated Color Temperatures of 3500°K, 4100°K, & 5000°K.
- 90 PCS High Output LED's.
- Analog Dimming driver for increased energy savings.
- High power factor, low THD driver.
- InstantON flicker-free Cold Start and Hot Re-Start.
- Up to 15 years Maintenance free operation.
- 5 Year Warranty on complete fixture. (LED's, Driver, & Housing)

### ORDERING INFORMATION

Sample Number: LED-52060-UNV-0-10DIM-841  
Custom options and accessories available. Please consult factory

Source	Series	Wattage	Voltage	Driver System	Color Temp.
LED = LED	52 = 2 x 4 Panel	060 = 60 W 090 = 90 W	UNV = 120-277 VAC	0-10DIM = 0-10V Dimming	835 = 3500°K 841 = 4100°K 850 = 5000°K



### PRODUCT INFORMATION

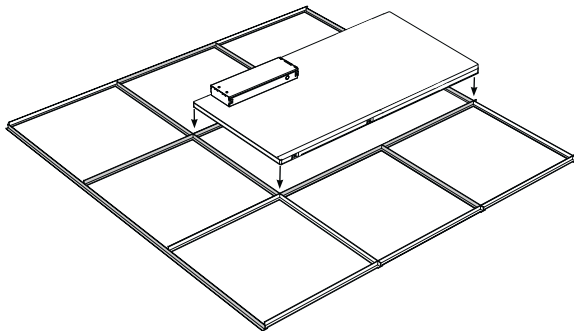
Model No.	Description	Color Temp. (°K)	Rated Watts	Input Watts	Initial Lumens	Line Voltage (VAC)	Max Line Current (Amp) @ 120-277V	THD	Power Factor
LED-52060-UNV-0-10DIM-835	LED 2x4 Ceiling Panel	3,500	60	61	5,100	120-277	0.52 - 0.22	<20%	>0.95
LED-52060-UNV-0-10DIM-841	LED 2x4 Ceiling Panel	4,100	60	61	5,100	120-277	0.52 - 0.22	<20%	>0.95
LED-52060-UNV-0-10DIM-850	LED 2x4 Ceiling Panel	5,000	60	61	5,100	120-277	0.52 - 0.22	<20%	>0.95
LED-52090-UNV-0-10DIM-835	LED 2x4 Ceiling Panel	3,500	90	92	7,650	120-277	0.52 - 0.22	<20%	>0.95
LED-52090-UNV-0-10DIM-841	LED 2x4 Ceiling Panel	4,100	90	92	7,650	120-277	0.52 - 0.22	<20%	>0.95
LED-52090-UNV-0-10DIM-850	LED 2x4 Ceiling Panel	5,000	90	92	7,650	120-277	0.52 - 0.22	<20%	>0.95

\* Fixture Weight = 22 lbs.

### SPECIFICATIONS

- LED Driver ..... Constant Current
- Dimming System ..... 0-10V
- Power Supply ..... 350mA
- Start Method ..... InstantON
- Hot Re-start ..... InstantON
- Universal Input Line Voltage ..... 120-277 VAC
- Input Line Frequency ..... 50/60 Hz
- Ballast Off-State Draw ..... 0 Watts
- Sound Rating ..... Class A
- ANSI Surge Protection ..... Class A
- LED / Driver System Life ..... 70,000 Hrs.
- Lumen Maintenance @50,000Hrs ..... > 70%
- Color Temperature ..... 3,500°K, 4,100°K, 5,000°K
- Color Rendering Index (CRI) ..... > 80
- Minimum Starting Temperature ..... -35°C
- Maximum Starting Temperature ..... 50°C
- Lumens per Watt ..... > 85
- Shock / Vibration Resistant ..... Yes
- Power Factor ..... > 0.95
- Total Harmonic Distortion ..... < 20%
- Inrush Current Peak ..... < 10 Amp
- ETL Listed / UL Standard 1598 ..... Yes
- FCC Compliance ..... Part 18, Subp. C
- Warranty ..... 5 Year

### MOUNTING OPTIONS



#### T-BAR GRID SYSTEM

- Easy drop in installation in to standard 2x4 t-bar grid system.
- Power cord whip provided.

Neptun Light, Inc.  
 13950 Business Center Drive  
 Lake Forest, IL 60045  
 Fax: 847.735.8004

Neptun Light, Inc. reserves the right to change materials or modify the design of its product without notification as part of the company's continuing product improvement program.  
 ©2002-2013 Neptun Light, Inc. All rights reserved.

Spec. Rev. 1-2014