



PRODUCT DATA SHEETS

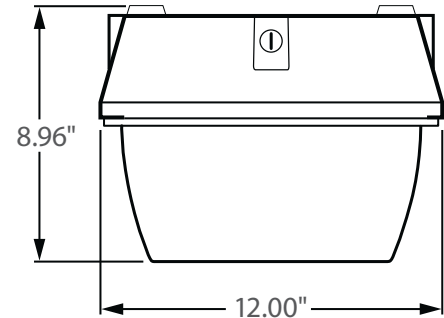
LED Canopy, Garage, &
Gas Station Fixtures



Not all products are qualified on the DLC QPL. To view our DLC qualified products, please consult the DLC Qualified Products List at www.designlights.org/qpl

**** AVAILABLE ****

Bi-Level 100%	Dimming 50%
0 - 10V FULL DIMMING	



Incredible 100,000 hrs

GENERAL DESCRIPTION

Neptun's 12" square LED canopy fixture features classic design and durability to be used in new construction or retrofit applications. The 12 series canopy fixture features excellent optics for increased visibility and security with horizontal and vertical footcandles to evenly illuminate parking garages. Can replace existing HID & HPS canopy or parking garage fixtures up to 250 Watts.

APPLICATION

- Parking Garage Lighting
- Canopy Lighting
- Gas Station Lighting
- Indoor Lighting
- Storage Lighting
- Security Lighting
- Area Lighting

STRUCTURE, MATERIALS, & FEATURES

- Heavy-gauge, die-cast aluminum housing.
- High efficiency, heat and impact resistant, UV protected, non yellowing polycarbonate lens / refractor.
- Custom designed anodized aluminum reflectors for superior illuminance.
- Corrosion resistant electrocoat dark bronze finish (custom colors available).
- Easy removal lens with (4) stainless steel screws.
- Continuous silicone gasket surrounds lens for weather - tight seal.
- High Output COB LED's.
- High power factor, low THD driver with 10kV Surge Protection.
- Instant-On flicker-free Cold Start and Hot Re-Start.
- Bright white light (5000°K) for greater visibility and safety.
- LED engine design with Advanced Thermal Management
- Up to 15 year maintenance free operation.
- 5 Year Warranty on complete fixture. (LED's, Driver, & Housing)
- **Optional:** Bi-Level Dimming, 0-10V Dimming, Remote Monitoring and ON/ OFF Control, DC 24V Operation - Solar Compatible

ORDERING INFORMATION

Sample Number: LED-12040-UNV-0-10VDIM-750-BRZ
Custom options and accessories available. Please consult factory

Series	Wattage	Voltage	Options	Color Temp	Accessories	Color
LED-12 = 12" Square Canopy	040 = 40 W 060 = 60 W 080 = 80 W	UNV = 120-277 VAC 347V = 347 VAC 480V = 480 VAC 24VDC = 24 VDC	0-10VDIM = 0-10V Dimming BL-DIM = Bi-Level Dimming * * Includes Motion Sensor ** Contact Factory for dimming options	735 = 3500°K 741 = 4100°K 750 = 5000°K * * Standard	LD-120V = Photocell 120V LD-277V = Photocell 277V MD = Motion Detector ON/OFF	BRZ = Dark Bronze * Custom Colors Available



lightinnovations@work™

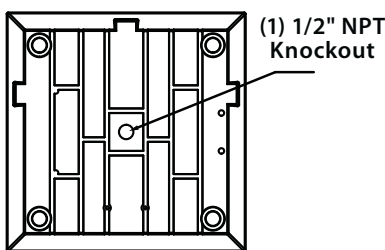
PRODUCT INFORMATION

Model No.	Description	Rated Watts	Input Watts	Initial Lumens	Universal Line Voltage (VAC)	Max Line Current (Amp) @ 120 - 277	THD	Power Factor	Weight
LED-12040-UNV	LED 12" Square Canopy	40	41	3,600	120-277	0.34 - 0.15	<20%	>0.90	12 lbs
LED-12060-UNV	LED 12" Square Canopy	60	61	5,100	120-277	0.52 - 0.22	<20%	>0.90	12 lbs
LED-12080-UNV	LED 12" Square Canopy	80	81	6,400	120-277	0.69 - 0.30	<20%	>0.90	12 lbs

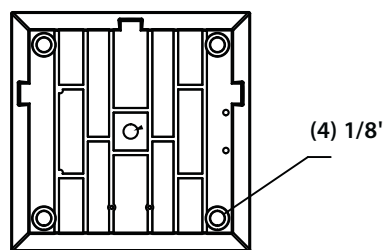
SPECIFICATIONS

- LED Driver Constant Current
- Power Supply 350mA
- Driver UL Rating Class 1
- Driver UL Outdoor Rated Wet Location
- Start Method InstantON
- Hot Re-start InstantON
- Universal Input Line Voltage 120-277 VAC
- Input Line Frequency 50/60 Hz
- Driver Off-State Draw 0 Watts
- Sound Rating Class A
- ANSI Surge Protection IEEE C62.41 C High
- Projected (L70) @ 25°C > 100,000 hrs.
- Color Temperature 5000°K
- Color Rendering Index (CRI) > 80
- Minimum Starting Temperature -40°C
- Maximum Starting Temperature 50°C
- Lumens per Watt > 80
- Shock / Vibration Resistant Yes
- Power Factor > 0.90
- Total Harmonic Distortion < 20%
- Inrush Current Peak < 10 Amp
- ETL Listed / UL Standard 1598 Yes
- FCC Compliance Part 15, Subp. C
- IP Rating IP65
- Warranty 5 Year

MOUNTING OPTIONS

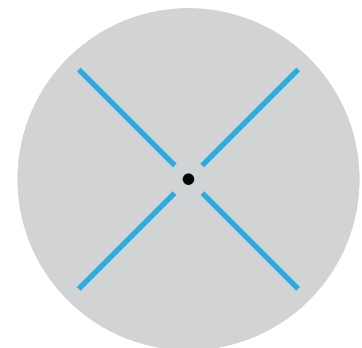


Pendant Mount



Surface Mount

PHOTOMETRICS (See Complete IES File)



Type V Distribution

Neptun Light, Inc.
 13950 Business Center Drive
 Lake Forest, IL 60045
 Fax: 847.735.8004

Neptun Light, Inc. reserves the right to change materials or modify the design of its product without notification as part of the company's continuing product improvement program.
 ©2002-2013 Neptun Light, Inc. All rights reserved.

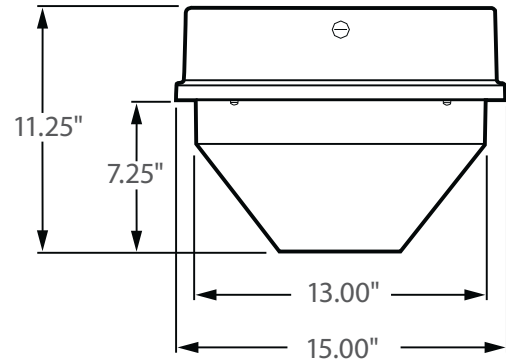
Spec. Rev. 4-2014



**** AVAILABLE ****

Bi-Level Dimming
100% 50%

0 - 10V
FULL DIMMING



Incredible **100,000 hrs**

GENERAL DESCRIPTION

Neptun's 15" conical LED canopy fixture features classic design and durability to be used in new construction or retrofit applications. The LED-13 series canopy fixture features excellent optics for increased visibility and security with horizontal and vertical footcandles to evenly illuminate parking garages. Can replace existing HID & HPS canopy or parking garage fixtures up to 175 Watts.

APPLICATION

- Parking Garage Lighting
- Canopy Lighting
- Gas Station Lighting
- Indoor Lighting
- Storage Lighting
- Security Lighting
- Area Lighting

STRUCTURE, MATERIALS, & FEATURES

- Heavy-gauge, die-cast aluminum housing.
- High efficiency, heat and impact resistant, UV protected, non yellowing polycarbonate lens / refractor.
- Custom designed anodized aluminum reflectors for superior illuminance.
- Corrosion resistant electrocoat dark bronze finish (custom colors available).
- Easy removal lens with (4) stainless steel screws.
- Continuous silicone gasket surrounds lens for weather - tight seal.
- High Output COB LED's.
- High power factor, low THD driver with 10kV Surge Protection.
- Instant-On flicker-free Cold Start and Hot Re-Start.
- Bright white light (5000°K) for greater visibility and safety.
- LED engine design with Advanced Thermal Management
- Up to 15 year maintenance free operation.
- 5 Year Warranty on complete fixture. (LED's, Driver, & Housing)
- **Optional:** Bi-Level Dimming, 0-10V Dimming, Remote Monitoring and ON/ OFF Control, DC 24V Operation - Solar Compatible

ORDERING INFORMATION

Sample Number: LED-13040-UNV-0-10VDIM-850-BRZ
Custom options and accessories available. Please consult factory

Series	Wattage	Voltage	Options	Color Temp	Accessories	Color
LED-13 = 15" Conical Canopy	040 = 40 W 060 = 60 W 080 = 80 W	UNV = 120-277 VAC 347V = 347 VAC 480V = 480 VAC 24VDC = 24 VDC	0-10VDIM = 0-10V Dimming BL-DIM = Bi-Level Dimming * * Includes Motion Sensor ** Contact Factory for dimming options	835 = 3500°K 841 = 4100°K 850 = 5000°K * * Standard	LD-120V = Photocell 120V LD-277V = Photocell 277V MD = Motion Detector ON/OFF	BRZ = Dark Bronze * Custom Colors Available



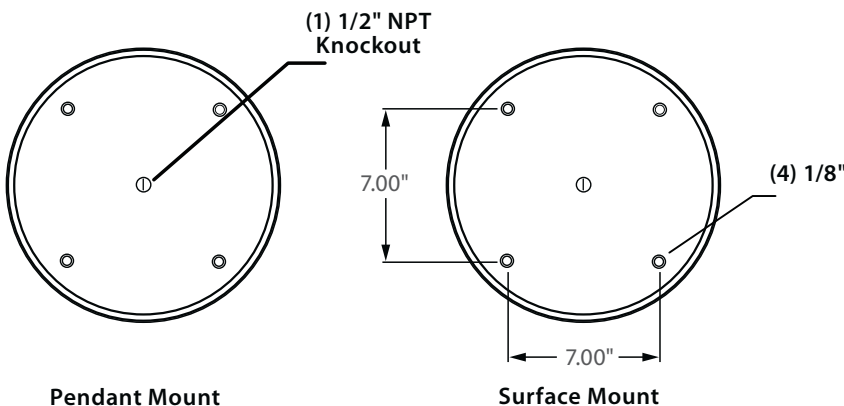
PRODUCT INFORMATION

Model No.	Description	Rated Watts	Input Watts	Initial Lumens	Universal Line Voltage (VAC)	Max Line Current (Amp) @ 120 - 277	THD	Power Factor	Weight
LED-13040-UNV	LED 15" Conical Canopy	40	42	3,600	120-277	0.34 - 0.15	<20%	>0.90	12 lbs
LED-13060-UNV	LED 15" Conical Canopy	60	62	5,100	120-277	0.52 - 0.22	<20%	>0.90	12 lbs
LED-13080-UNV	LED 15" Conical Canopy	80	82	6,400	120-277	0.69 - 0.30	<20%	>0.90	12 lbs

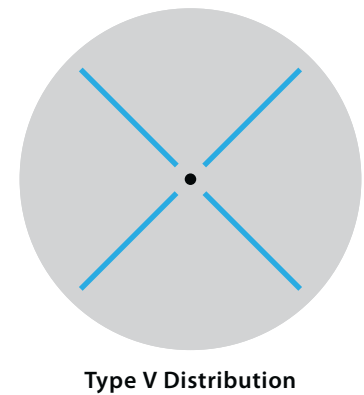
SPECIFICATIONS

- LED Driver Constant Current
- Power Supply 350mA
- Driver UL Rating Class 1
- Driver UL Outdoor Rated Wet Location
- Start Method InstantON
- Hot Re-start InstantON
- Universal Input Line Voltage 120-277 VAC
- 0-10V Dimming System 100%-0%
- Input Line Frequency 50/60 Hz
- Driver Off-State Draw 0 Watts
- Sound Rating Class A
- ANSI Surge Protection IEEE C62.41 C High
- Projected (L70) @ 25°C > 100,000 hrs.
- Color Temperature 5000°K
- Color Rendering Index (CRI) > 80
- Minimum Starting Temperature -40°C
- Maximum Starting Temperature +50°C
- Lumens per Watt > 90
- Shock / Vibration Resistant Yes
- Power Factor > 0.90
- Total Harmonic Distortion < 20%
- Inrush Current Peak < 10 Amp
- FCC Compliance Part 15, Subp. C
- IP Rating IP65
- Warranty 5 Year

MOUNTING OPTIONS



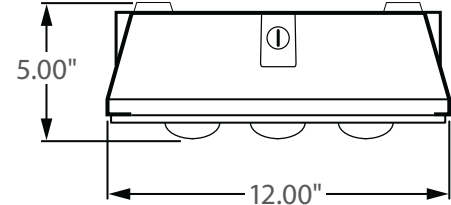
PHOTOMETRICS (See Complete IES File)



Neptun Light, Inc.
 13950 Business Center Drive
 Lake Forest, IL 60045
 Fax: 847.735.8004

Neptun Light, Inc. reserves the right to change materials or modify the design of its product without notification as part of the company's continuing product improvement program.
 ©2002-2013 Neptun Light, Inc. All rights reserved.

Spec. Rev. 4-2015



**** AVAILABLE ****

Bi-Level Dimming
100% 50%

0 - 10V
FULL DIMMING

Incredible 100,000 hrs

GENERAL DESCRIPTION

Neptun's 12" low-profile square LED canopy fixture features architectural design and durability to be used in new construction or retrofit applications. The LED-LP12 series canopy fixture features excellent optics for increased visibility and security to evenly illuminate parking garages. It can replace existing HID & HPS canopy or parking garage fixtures up to 250 Watts.

APPLICATION

- Parking Garage Lighting
- Canopy Lighting
- Gas Station Lighting
- Indoor Lighting
- Storage Lighting
- Security Lighting
- Area Lighting

STRUCTURE, MATERIALS, & FEATURES

- Heavy-gauge, die-cast aluminum housing.
- Corrosion resistant electrocoat dark bronze or white finish.
- Continuous silicone gasket surrounds optics for weather-tight (IP68) seal.
- High Output COB LED's.
- High power factor, low THD driver with 10kV Surge Protection.
- Instant-On flicker-free Cold Start and Hot Re-Start.
- Bright white light (5000°K) for greater visibility and safety.
- LED engine design with Advanced Thermal Management
- Up to 20 year maintenance free operation.
- 10 Year Warranty on complete fixture. (LED's, Driver, & Housing)
- **Optional:** Bi-Level Dimming, 0-10V Dimming, Remote Monitoring and ON/ OFF Control, DC 24V Operation - Solar Compatible

ORDERING INFORMATION

Sample Number: LED-LP12040-UNV-0-10VDIM-850-BRZ
Custom options and accessories available. Please consult factory

Series	Wattage	Voltage	Options	Color Temp	Pendant Length	Accessories	Color
LED-LP12 = Low-Profile 12" Square Canopy	040 = 40 W 060 = 60 W 080 = 80 W	UNV = 120-277 VAC 347V = 347 VAC 480V = 480 VAC 24VDC = 24 VDC	0-10VDIM = 0-10V Dimming BL-DIM = Bi-Level Dimming * * Includes Motion Sensor ** Contact Factory for dimming options	835 = 3500°K 841 = 4100°K 850 = 5000°K * * Standard	None = Leave Blank ST6 = 6" Stem Length ST12 = 12" Stem Length ST18 = 18" Stem Length ST24 = 24" Stem Length	MD = Motion Detector ON/OFF	BRZ = Bronze WHT = White * Custom Colors Available



PRODUCT INFORMATION

Model No.	Description	Rated Watts	Input Watts	Initial Lumens	Universal Line Voltage (VAC)	Max Line Current (Amp) @ 120 - 277	THD	Power Factor	Weight
LED-LP12040-UNV	12" Square Canopy	40	42	4,600	120-277	0.34 - 0.15	<20%	>0.90	12 lbs
LED-LP12060-UNV	12" Square Canopy	60	62	6,700	120-277	0.52 - 0.22	<20%	>0.90	12 lbs
LED-LP12080-UNV	12" Square Canopy	80	82	8,700	120-277	0.69 - 0.30	<20%	>0.90	12 lbs

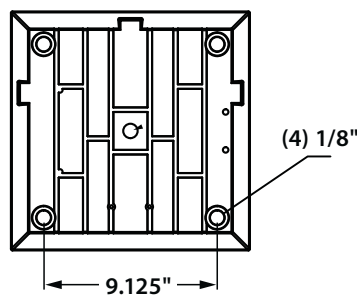
SPECIFICATIONS

- LED Driver Constant Current
- Power Supply 350mA
- Driver UL Rating Class 1
- Driver UL Outdoor Rated Wet Location
- Start Method InstantON
- Hot Re-start InstantON
- Universal Input Line Voltage 120-277 VAC
- 0-10V Dimming System 100%-0%
- Input Line Frequency 50/60 Hz
- Driver Off-State Draw 0 Watts
- Sound Rating Class A
- ANSI Surge Protection IEEE C62.41 C High
- Projected (L70) @ 25°C > 100,000 hrs.
- Color Temperature 5000°K
- Color Rendering Index (CRI) > 80
- Minimum Starting Temperature -40°C
- Maximum Starting Temperature +50°C
- Lumens per Watt > 100
- Shock / Vibration Resistant Yes
- Power Factor > 0.90
- Total Harmonic Distortion < 20%
- Inrush Current Peak < 10 Amp
- FCC Compliance Part 15, Subp. C
- Housing IP Rating IP65
- Optics IP Rating IP68
- Driver IP Rating IP67
- Warranty 10 Year

MOUNTING OPTIONS

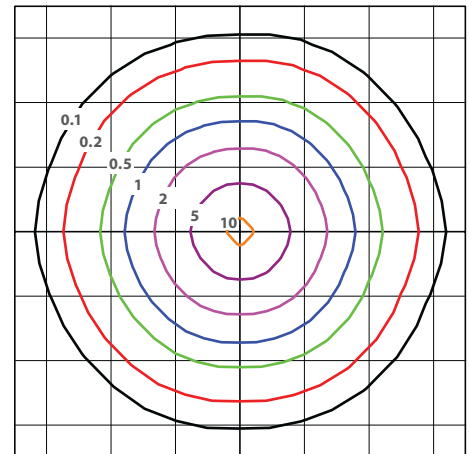


Pendant Mount



Surface Mount

PHOTOMETRICS (See Complete IES File)



Horizontal Footcandles
Scale: 1 Hash = 15 Ft.
Light Loss Factor = 1.00
Total Lamp Lumens = 8737.11
Mounting Height = 15.00 Ft.
Maximum Calculated Value = 10.81 Fc
Arrangement: Single

NEPTUN LIGHT, INC.
LED-LP12080-UNV-850

Neptun Light, Inc.
13950 Business Center Drive
Lake Forest, IL 60045
Fax: 847.735.8004

Neptun Light, Inc. reserves the right to change materials or modify the design of its product without notification as part of the company's continuing product improvement program.
©2002-2013 Neptun Light, Inc. All rights reserved.

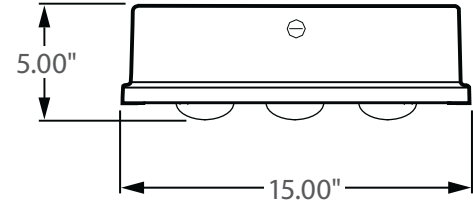
Spec. Rev. 4-2014



**** AVAILABLE ****

Bi-Level Dimming
100% 50%

0 - 10V
FULL DIMMING



Incredible 100,000 hrs

GENERAL DESCRIPTION

Neptun's 15" low-profile round LED canopy fixture features architectural design and durability to be used in new construction or retrofit applications. The LED-LP13 series canopy fixture features excellent optics for increased visibility and security to evenly illuminate parking garages. It can replace existing HID & HPS canopy or parking garage fixtures up to 250 Watts.

APPLICATION

- Parking Garage Lighting
- Canopy Lighting
- Gas Station Lighting
- Indoor Lighting
- Storage Lighting
- Security Lighting
- Area Lighting

STRUCTURE, MATERIALS, & FEATURES

- Heavy-gauge, die-cast aluminum housing.
- Corrosion resistant electrocoat dark bronze or white finish.
- Continuous silicone gasket surrounds optics for weather-tight (IP68) seal.
- High Output COB LED's.
- High power factor, low THD driver with 10kV Surge Protection.
- Instant-On flicker-free Cold Start and Hot Re-Start.
- Bright white light (5000°K) for greater visibility and safety.
- LED engine design with Advanced Thermal Management
- Up to 20 year maintenance free operation.
- 10 Year Warranty on complete fixture. (LED's, Driver, & Housing)
- **Optional:** Bi-Level Dimming, 0-10V Dimming, Remote Monitoring and ON/ OFF Control, DC 24V Operation - Solar Compatible

ORDERING INFORMATION

Sample Number: LED-LP13040-UNV-0-10VDIM-850-ST6-MD-BRZ
Custom options and accessories available. Please consult factory

Series	Wattage	Voltage	Options	Color Temp	Pendant Length	Accessories	Color
LED-LP13 = Low-Profile 15" Round Canopy	040 = 40 W 060 = 60 W 080 = 80 W	UNV = 120-277 VAC 347V = 347 VAC 480V = 480 VAC 24VDC = 24 VDC	0-10VDIM = 0-10V Dimming BL-DIM = Bi-Level Dimming * * Includes Motion Sensor ** Contact Factory for dimming options	835 = 3500°K 841 = 4100°K 850 = 5000°K * * Standard	None = Leave Blank ST6 = 6" Stem Length ST12 = 12" Stem Length ST18 = 18" Stem Length ST24 = 24" Stem Length	MD = Motion Detector ON/OFF	BRZ = Bronze WHT = White * Custom Colors Available



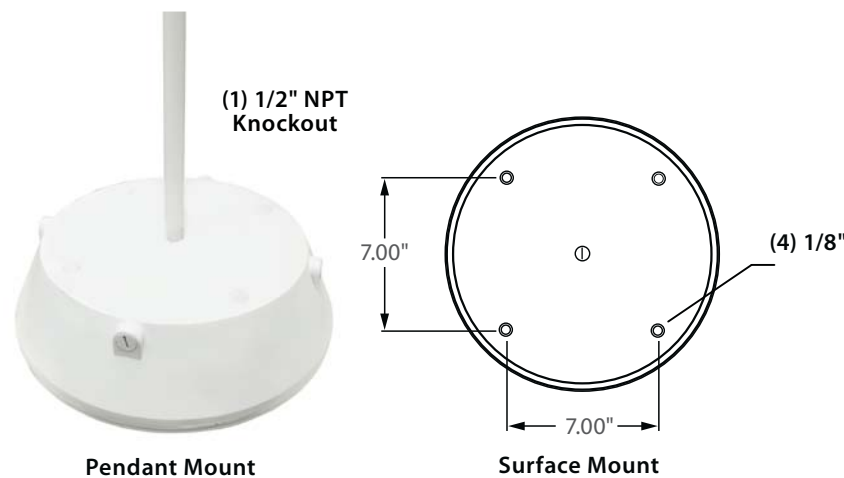
PRODUCT INFORMATION

Model No.	Description	Rated Watts	Input Watts	Initial Lumens	Universal Line Voltage (VAC)	Max Line Current (Amp) @ 120 - 277	THD	Power Factor	Weight
LED-LP13040-UNV	15" Round Canopy	40	42	4,600	120-277	0.34 - 0.15	<20%	>0.90	12 lbs
LED-LP13060-UNV	15" Round Canopy	60	62	6,700	120-277	0.52 - 0.22	<20%	>0.90	12 lbs
LED-LP13080-UNV	15" Round Canopy	80	82	8,700	120-277	0.69 - 0.30	<20%	>0.90	12 lbs

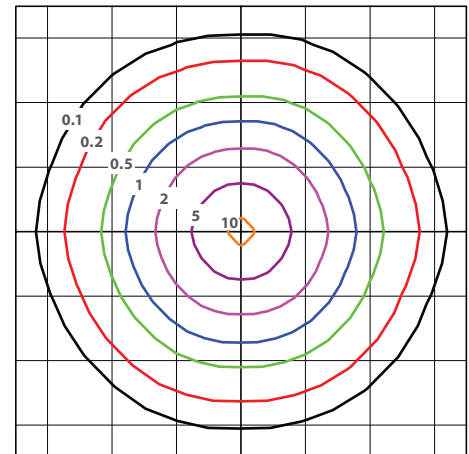
SPECIFICATIONS

- LED Driver Constant Current
- Power Supply 350mA
- Driver UL Rating Class 1
- Driver UL Outdoor Rated Wet Location
- Start Method InstantON
- Hot Re-start InstantON
- Universal Input Line Voltage 120-277 VAC
- 0-10V Dimming System 100%-0%
- Input Line Frequency 50/60 Hz
- Driver Off-State Draw 0 Watts
- Sound Rating Class A
- ANSI Surge Protection IEEE C62.41 C High
- Projected (L70) @ 25°C > 100,000 hrs.
- Color Temperature 5000°K
- Color Rendering Index (CRI) > 80
- Minimum Starting Temperature -40°C
- Maximum Starting Temperature +50°C
- Lumens per Watt > 105
- Shock / Vibration Resistant Yes
- Power Factor > 0.90
- Total Harmonic Distortion < 20%
- Inrush Current Peak < 10 Amp
- FCC Compliance Part 15, Subp. C
- Housing IP Rating IP65
- Optics IP Rating IP68
- Driver IP Rating IP67
- Warranty 10 Year

MOUNTING OPTIONS



PHOTOMETRICS (See Complete IES File)



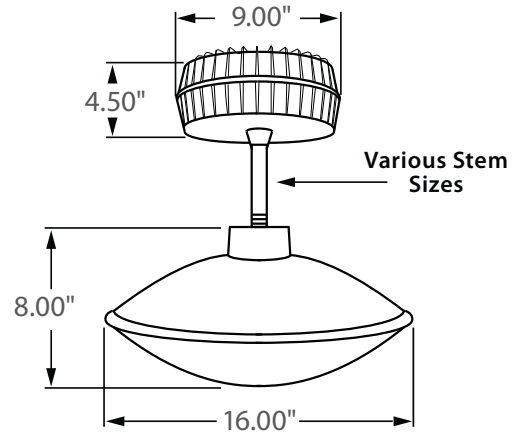
Horizontal Footcandles
 Scale: 1 Hash = 15 Ft.
 Light Loss Factor = 1.00
 Total Lamp Lumens = 8720.11
 Mounting Height = 15.00 Ft.
 Maximum Calculated Value = 10.81 Fc
 Arrangement: Single

NEPTUN LIGHT, INC.
 LED-LP13080-UNV-850

Neptun Light, Inc.
 13950 Business Center Drive
 Lake Forest, IL 60045
 Fax: 847.735.8004

Neptun Light, Inc. reserves the right to change materials or modify the design of its product without notification as part of the company's continuing product improvement program.
 ©2002-2013 Neptun Light, Inc. All rights reserved.

Spec. Rev. 4-2014



** AVAILABLE **

0 - 10V
FULL DIMMING

Incredible **100,000 hrs**

GENERAL DESCRIPTION

Neptun's LED pendant canopy fixture features an architectural design and durability to be used in new construction or retrofit applications. The LED-132 series pendant fixture features excellent optics for increased visibility and security with horizontal and vertical foot-candles to evenly illuminate parking garages. Can replace existing HID & HPS canopy or parking garage fixtures up to 150 Watts.

APPLICATION


- Parking Garage Lighting
- Canopy Lighting
- Indoor Lighting
- Storage Lighting
- Retail Lighting

STRUCTURE, MATERIALS, & FEATURES

- Cast aluminum cooling fin heat sink for excellent thermal management.
- Heavy-gauge, die-cast aluminum gear box.
- High efficiency, heat and impact resistant, UV protected, non yellowing polycarbonate convex lens / refractor.
- Corrosion resistant electrocoat silver finish (custom colors available).
- Stainless steel hardware for easy removal lens.
- Continuous silicone gasket surrounds lens for weather - tight seal.
- High Output COB LED's.
- High power factor, low THD driver with 10kV Surge Protection.
- Instant-On flicker-free Cold Start and Hot Re-Start.
- Bright white light (5000°K) for greater visibility and safety.
- LED engine design with Advanced Thermal Management.
- Up to 15 year maintenance free operation.
- 5 Year Warranty on complete fixture. (LED's, Driver, & Housing)
- **Optional:** 0-10V Dimming, Bi-Level Dimming, Remote Monitoring and ON/ OFF Control, DC 24V Operation - Solar Compatible

ORDERING INFORMATION

Sample Number: LED-132040-UNV-0-10VDIM-850-ST6-SLV
Custom options and accessories available. Please consult factory

Series	Wattage	Voltage	Options	Color Temp	Pendant Length	Color
LED-132 = Pendant Canopy	040 = 40 W 050 = 50 W	UNV = 120-277 VAC 347V = 347 VAC 480V = 480 VAC 24VDC = 24 VDC	0-10VDIM = 0-10V Dimming ** Contact Factory for dimming options	835 = 3500°K 841 = 4100°K 850 = 5000°K * * Standard	ST6 = 6" in. pendant ST12 = 12" in. pendant ST18 = 18" in. pendant * Custom Lens Available	SLV = Silver  * Custom Colors Available



lightinnovations@work™

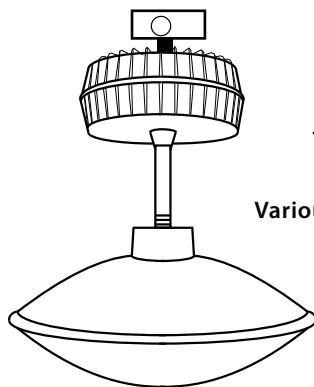
PRODUCT INFORMATION

Model No.	Description	Rated Watts	Input Watts	Initial Lumens	Universal Line Voltage (VAC)	Max Line Current (Amp) @ 120 - 277V	THD	Power Factor	Weight
LED-132040-UNV	LED Pendant Canopy	40	41	3,600	120-277	0.34 - 0.15	<20%	>0.90	20 lbs
LED-132050-UNV	LED Pendant Canopy	50	51	4,400	120-277	0.43 - 0.18	<20%	>0.90	20 lbs

SPECIFICATIONS

- LED Driver Constant Current
- Power Supply 350mA
- Driver UL Rating Class 1
- Driver UL Outdoor Rated Wet Location
- Start Method InstantON
- Hot Re-start InstantON
- Universal Input Line Voltage 120-277 VAC
- Input Line Frequency 50/60 Hz
- Driver Off-State Draw 0 Watts
- Sound Rating Class A
- ANSI Surge Protection IEEE C62.41 C High
- Projected (L70) @ 25°C > 100,000 hrs.
- Color Temperature 5000°K
- Color Rendering Index (CRI) > 80
- Minimum Starting Temperature -40°C
- Maximum Starting Temperature +50°C
- Lumens per Watt > 80
- Shock / Vibration Resistant Yes
- Power Factor > 0.90
- Total Harmonic Distortion < 20%
- Inrush Current Peak < 10 Amp
- ETL Listed / UL Standard 1598 Yes
- FCC Compliance Part 15, Subp. C
- IP Rating IP65
- Warranty 5 Year

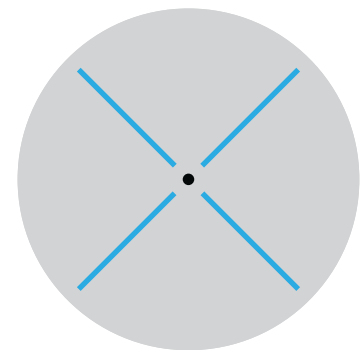
MOUNTING OPTIONS



Pendant Mount
to Standard
1900 Junction Box

Various Stem Sizes Available

PHOTOMETRICS (See Complete IES File)



Type V Distribution

Neptun Light, Inc.
13950 Business Center Drive
Lake Forest, IL 60045
Fax: 847.735.8004

Neptun Light, Inc. reserves the right to change materials or modify the design of its product without notification as part of the company's continuing product improvement program.
©2002-2013 Neptun Light, Inc. All rights reserved.

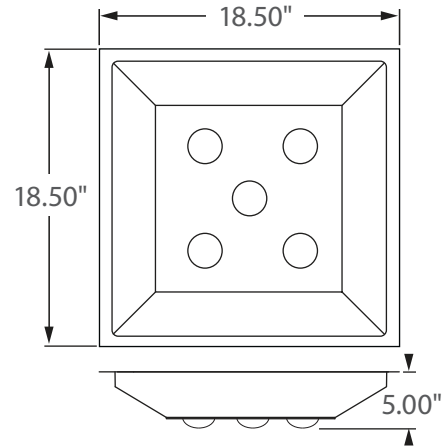
Spec. Rev. 4-2015



Not all products are qualified on the DLC QPL. To view our DLC qualified products, please consult the DLC Qualified Products List at www.designlights.org/qpl

** AVAILABLE **

0 - 10V
FULL DIMMING



Incredible **100,000 hrs**

GENERAL DESCRIPTION

Neptun's LED gas station / canopy fixture features an architectural design and durability to be used in new construction or retrofit applications. The LED-22 series fixture features excellent optics for increased visibility and security. Can replace existing HID & HPS canopy or parking garage fixtures up to 320 Watts.

APPLICATION

- Gas Station Lighting
- Canopy Lighting
- Walkway Lighting
- Drive-Thru Canopy Lighting
- Storage Lighting

STRUCTURE, MATERIALS, & FEATURES

- Heavy-gauge, die-cast aluminum housing.
- Internal aluminum cooling fin heat sink for excellent thermal management.
- Corrosion resistant electrocoat white finish (custom colors available).
- Continuous silicone gasket surrounds lens for weather - tight seal.
- High Output COB Cree LED's.
- High power factor, low THD driver with 10kV Surge Protection.
- Instant-On flicker-free Cold Start and Hot Re-Start.
- Bright white light (5000°K) for greater visibility and safety.
- LED engine design with Advanced Thermal Management.
- Up to 15 year maintenance free operation.
- 10 Year Warranty on complete fixture. (LED's, Driver, & Housing)
- **Optional:** 0-10V Dimming, Remote Monitoring and ON/ OFF Control, DC 24V Operation - Solar Compatible

ORDERING INFORMATION

Sample Number: LED-22100-UNV-BL-DIM-850-WHT
Custom options and accessories available. Please consult factory

Series	Wattage	Voltage	Options	Color Temp	Color
LED-22 = Gas Station Canopy	060 = 60 W 080 = 80 W 100 = 100 W 120 = 120 W	UNV = 120-277 VAC 347V = 347 VAC 480V = 480 VAC 24VDC = 24 VDC	0-10VDIM = 0-10V Dimming ** Contact Factory for dimming options	835 = 3500°K 841 = 4100°K 850 = 5000°K * * Standard	WHT = White * Custom Colors Available



lightinnovations@work™

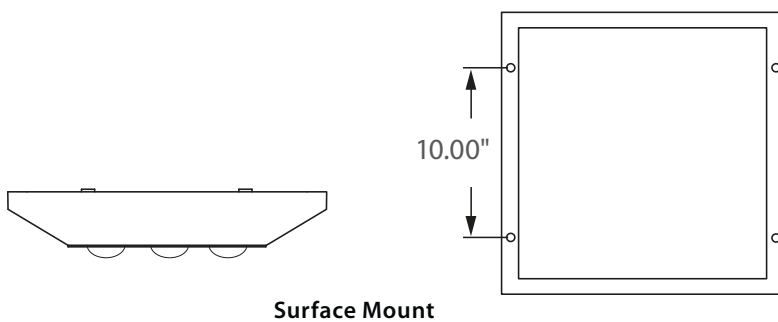
PRODUCT INFORMATION

Model No.	Description	Rated Watts	Input Watts	Initial Lumens	Universal Line Voltage (VAC)	Max Line Current (Amp) @ 120 - 277	THD	Power Factor	Weight
LED-22060-UNV	LED Gas Station Canopy	60	62	6,324	120-277	0.52 - 0.22	<20%	>0.90	15 lbs
LED-22080-UNV	LED Gas Station Canopy	80	83	8,217	120-277	0.69 - 0.30	<20%	>0.90	15 lbs
LED-22100-UNV	LED Gas Station Canopy	100	102	10,200	120-277	0.87 - 0.37	<20%	>0.90	15 lbs
LED-22120-UNV	LED Gas Station Canopy	120	123	12,200	120-277	1.05 - 0.45	<20%	>0.90	15 lbs

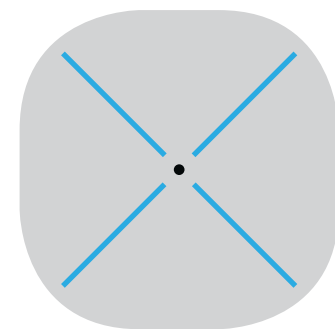
SPECIFICATIONS

- LED Driver Constant Current
- Power Supply 350mA
- Driver UL Rating Class 1
- Driver UL Outdoor Rated Wet Location
- Start Method InstantON
- Hot Re-start InstantON
- Universal Input Line Voltage 120-277 VAC
- Input Line Frequency 50/60 Hz
- Driver Off-State Draw 0 Watts
- Sound Rating Class A
- ANSI Surge Protection IEEE C62.41 C High
- Projected (L70) @ 25°C > 100,000 hrs.
- Color Temperature 5000°K
- Color Rendering Index (CRI) > 80
- Minimum Starting Temperature -40°C
- Maximum Starting Temperature +50°C
- Lumens per Watt > 100
- Shock / Vibration Resistant Yes
- Power Factor > 0.90
- Total Harmonic Distortion < 20%
- Inrush Current Peak < 10 Amp
- FCC Compliance Part 15, Subp. C
- Lens IP Rating IP68
- Driver IP Rating IP67
- Warranty 10 Year

MOUNTING OPTIONS



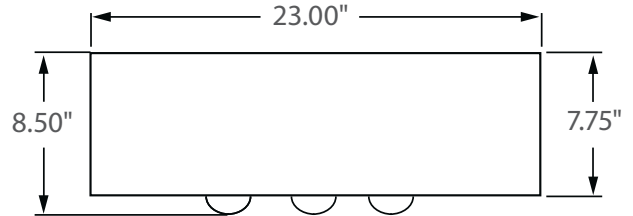
PHOTOMETRICS (See Complete IES File)



Neptun Light, Inc.
 13950 Business Center Drive
 Lake Forest, IL 60045
 Fax: 847.735.8004

Neptun Light, Inc. reserves the right to change materials or modify the design of its product without notification as part of the company's continuing product improvement program.
 ©2002-2013 Neptun Light, Inc. All rights reserved.

Spec. Rev. 4-2015



**** AVAILABLE ****

Bi-Level Dimming
100% 50%

0 - 10V
FULL DIMMING

Incredible **100,000 hrs**

GENERAL DESCRIPTION

Neptun's LED 23" gas station / freezer / canopy fixture combines classic form and versatility to make it an excellent choice for new construction or retrofit applications. . The LED-23 series fixture features excellent optics for increased visibility and security. It can replace existing HID & HPS canopy fixtures up to 400 Watts.

APPLICATION

- Gas Station Lighting
- Freezer Lighting
- Canopy Lighting
- Walkway Lighting
- Storage Lighting

STRUCTURE, MATERIALS, & FEATURES

- Heavy-gauge, die-cast aluminum housing.
- Internal aluminum cooling fin heat sink for excellent thermal management.
- Corrosion resistant electrocoat white finish (custom colors available).
- High Output Cree LED's.
- High power factor, low THD driver with 10kV Surge Protection.
- Instant-On flicker-free Cold Start and Hot Re-Start.
- Bright white light (5000°K) for greater visibility and safety.
- LED engine design with Advanced Thermal Management.
- Up to 15 year maintenance free operation.
- 10 Year Warranty on complete fixture. (LED's, Driver, & Housing)
- **Optional:** Bi-Level Dimming, 0-10V Dimming, Remote Monitoring and ON/ OFF Control, DC 24V Operation - Solar Compatible

ORDERING INFORMATION

Sample Number: LED-23080-UNV-0-10VDIM-850-MD-WHT
Custom options and accessories available. Please consult factory

Series	Wattage	Voltage	Options	Color Temp	Accessories	Color
LED-23 = Gas Station - Freezer Fixture	080 = 40 W 100 = 60 W 120 = 80 W 150 = 150 W 180 = 180 W	UNV = 120-277 VAC 347V = 347 VAC 480V = 480 VAC 24VDC = 24 VDC	0-10VDIM = 0-10V Dimming BL-DIM = Bi-Level Dimming * * Includes Motion Sensor ** Contact Factory for dimming options	835 = 3500°K 841 = 4100°K 850 = 5000°K * * Standard	MD = Motion Detector ON/OFF	WHT = White * Custom Colors Available



PRODUCT INFORMATION

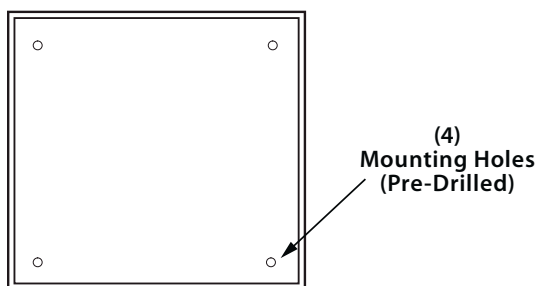
Model No.	Description	Rated Watts	Input Watts	Initial Lumens	Universal Line Voltage (VAC)	Max Line Current (Amp) @ 120 - 277	THD	Power Factor	Weight
LED-23080-UNV	LED 23" Canopy Fixture	80	82	8,200	120-277	0.69 - 0.30	<20%	>0.90	20 lbs
LED-23100-UNV	LED 23" Canopy Fixture	100	102	10,200	120-277	0.87 - 0.37	<20%	>0.90	20 lbs
LED-23120-UNV	LED 23" Canopy Fixture	120	122	12,200	120-277	1.05 - 0.45	<20%	>0.90	20 lbs
LED-23150-UNV	LED 23" Canopy Fixture	150	152	15,200	120-277	1.31 - 0.56	<20%	>0.90	20 lbs
LED-23180-UNV	LED 23" Canopy Fixture	180	182	18,200	120-277	1.57 - 0.68	<20%	>0.90	20 lbs

SPECIFICATIONS

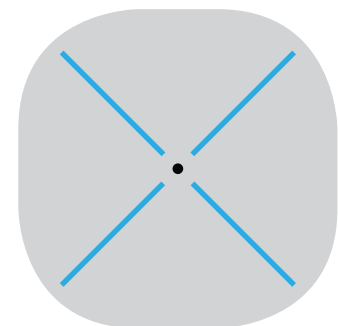
- LED Driver Constant Current
- Power Supply 350mA
- Driver UL Rating Class 1
- Driver UL Outdoor Rated Wet Location
- Start Method InstantON
- Hot Re-start InstantON
- Universal Input Line Voltage 120-277 VAC
- Input Line Frequency 50/60 Hz
- Driver Off-State Draw 0 Watts
- Sound Rating Class A
- ANSI Surge Protection IEEE C62.41 C High
- Projected (L70) @ 25°C > 100,000 hrs.
- Color Temperature 5000°K
- Color Rendering Index (CRI) > 80
- Minimum Starting Temperature -40°C
- Maximum Starting Temperature +50°C
- Lumens per Watt > 100
- Shock / Vibration Resistant Yes
- Power Factor > 0.90
- Total Harmonic Distortion < 20%
- Inrush Current Peak < 10 Amp
- FCC Compliance Part 15, Subp. C
- Housing IP Rating IP65
- Lens IP Rating IP68
- Warranty 10 Year

MOUNTING OPTIONS

Surface Mount



PHOTOMETRICS (See Complete IES File)



Type V Distribution

Neptun Light, Inc.
13950 Business Center Drive
Lake Forest, IL 60045
Fax: 847.735.8004

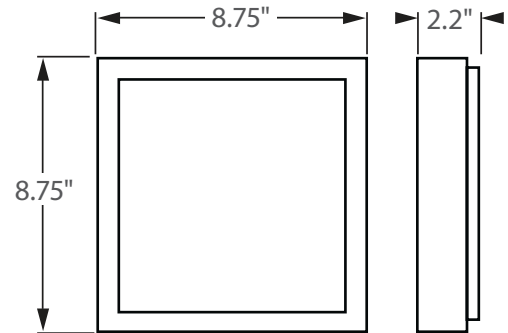
Neptun Light, Inc. reserves the right to change materials or modify the design of its product without notification as part of the company's continuing product improvement program.
©2002-2013 Neptun Light, Inc. All rights reserved.

Spec. Rev. 4-2014



**** AVAILABLE ****

Bi-Level 100%	Dimming 50%
0 - 10V	
FULL DIMMING	



Incredible **100,000 hrs**

GENERAL DESCRIPTION

Neptun's Square LED canopy fixture features classic design and durability to be used in new construction or retrofit applications. The LED-121 series canopy fixture features excellent optics for increased visibility, security, and to evenly illuminate intended area. The super slim design makes allows for mounting in low ceiling areas. It can replace existing HID & HPS canopy or parking garage fixtures up to 40 Watts.

APPLICATION

- Covered Walkway Lighting
- Hallway Lighting
- Stairwell Lighting
- Canopy Lighting

STRUCTURE, MATERIALS, & FEATURES

- Reinforced plastic housing.
- UV stabilized polycarbonate frosted lens for even glow
- Corrosion resistant electrocoat finish (custom colors available).
- Continuous silicone gasket surrounds lens for weather - tight IP65 seal.
- Slim design with no exterior screws or hardware.
- High Output LED's.
- High power factor, low THD driver with 10kV Surge Protection.
- Instant-On flicker-free Cold Start and Hot Re-Start.
- Bright white light (5000°K) for greater visibility and safety.
- LED engine design with Advanced Thermal Management
- Up to 15 year maintenance free operation.
- 5 Year Warranty on complete fixture. (LED's, Driver, & Housing)
- **Optional:** Bi-Level Dimming, 0-10V Dimming, Remote Monitoring and ON/ OFF Control, DC 24V Operation - Solar Compatible

ORDERING INFORMATION

Sample Number: LED-121020-UNV-0-10VDIM-850-MD-DGRY
Custom options and accessories available. Please consult factory

Series	Wattage	Voltage	Options	Color Temp	Accessories	Color
LED-121 = Square Canopy	020 = 20 W	UNV = 120-277 VAC 347V = 347 VAC 480V = 480 VAC 24VDC = 24 VDC	0-10VDIM = 0-10V Dimming BL-DIM = Bi-Level Dimming * * Includes Motion Sensor ** Contact Factory for dimming options	835 = 3500°K 841 = 4100°K 850 = 5000°K * * Standard	MD = Motion Detector ON/OFF	DGRY = Dark Grey BLK = Black * Custom Colors Available



lightinnovations@work™

PRODUCT INFORMATION

Model No.	Description	Rated Watts	Input Watts	Initial Lumens	Universal Line Voltage (VAC)	Max Line Current (Amp) @ 120 - 277	THD	Power Factor	Weight
LED-121020-UNV	Square Surface Mount	20	21	1,400	120-277	0.17 - 0.06	<20%	>0.90	6 lbs

SPECIFICATIONS

- LED Driver Constant Current
- Power Supply 350mA
- Driver UL Rating Class 1
- Driver UL Outdoor Rated Wet Location
- Start Method InstantON
- Hot Re-start InstantON
- Universal Input Line Voltage 120-277 VAC
- Input Line Frequency 50/60 Hz
- Driver Off-State Draw 0 Watts
- Sound Rating Class A
- ANSI Surge Protection IEEE C62.41 C High
- Projected (L70) @ 25°C > 100,000 hrs.
- Color Temperature 5000°K
- Color Rendering Index (CRI) > 80
- Minimum Starting Temperature -40°C
- Maximum Starting Temperature +50°C
- Beam Angle 120°
- Lumens per Watt > 70
- Shock / Vibration Resistant Yes
- Power Factor > 0.90
- Total Harmonic Distortion < 20%
- Inrush Current Peak < 10 Amp
- FCC Compliance Part 15, Subp. C
- IP Rating IP65
- Warranty 5 Year

MOUNTING OPTIONS

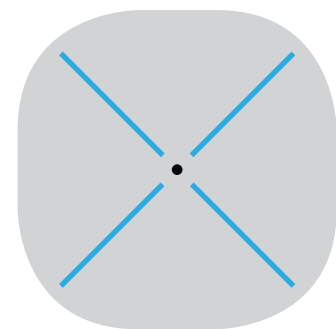
Surface Mount



Wall Mount



PHOTOMETRICS (See Complete IES File)



Type V Distribution

Neptun Light, Inc.
13950 Business Center Drive
Lake Forest, IL 60045
Fax: 847.735.8004

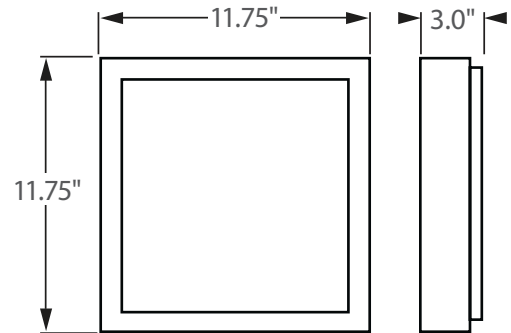
Neptun Light, Inc. reserves the right to change materials or modify the design of its product without notification as part of the company's continuing product improvement program.
©2002-2013 Neptun Light, Inc. All rights reserved.

Spec. Rev. 4-2015



**** AVAILABLE ****

Bi-Level 100%	Dimming 50%
0 - 10V FULL DIMMING	



Incredible **100,000 hrs**

GENERAL DESCRIPTION

Neptun's Square LED canopy fixture features classic design and durability to be used in new construction or retrofit applications. The LED-122 series canopy fixture features excellent optics for increased visibility, security, and to evenly illuminate intended area. The super slim design makes allows for mounting in low ceiling areas. It can replace existing HID & HPS canopy or parking garage fixtures up to 100 Watts.

APPLICATION

- Covered Walkway Lighting
- Hallway Lighting
- Stairwell Lighting
- Canopy Lighting

STRUCTURE, MATERIALS, & FEATURES

- Reinforced plastic housing.
- UV stabilized polycarbonate frosted lens for even glow
- Corrosion resistant electrocoat finish (custom colors available).
- Continuous silicone gasket surrounds lens for weather - tight IP65 seal.
- Slim design with no exterior screws or hardware.
- High Output LED's.
- High power factor, low THD driver with 10kV Surge Protection.
- Instant-On flicker-free Cold Start and Hot Re-Start.
- Bright white light (5000°K) for greater visibility and safety.
- LED engine design with Advanced Thermal Management
- Up to 15 year maintenance free operation.
- 5 Year Warranty on complete fixture. (LED's, Driver, & Housing)
- **Optional:** Bi-Level Dimming, 0-10V Dimming, Remote Monitoring and ON/ OFF Control, DC 24V Operation - Solar Compatible

ORDERING INFORMATION

Sample Number: LED-122040-UNV-0-10VDIM-850-BLK
Custom options and accessories available. Please consult factory

Series	Wattage	Voltage	Options	Color Temp	Accessories	Color
LED-122 = Square Canopy	040 = 40 W	UNV = 120-277 VAC 347V = 347 VAC 480V = 480 VAC 24VDC = 24 VDC	0-10VDIM = 0-10V Dimming BL-DIM = Bi-Level Dimming * * Includes Motion Sensor ** Contact Factory for dimming options	835 = 3500°K 841 = 4100°K 850 = 5000°K * * Standard	MD = Motion Detector ON/OFF	DGRY = Dark Grey BLK = Black * Custom Colors Available



lightinnovations@work™

PRODUCT INFORMATION

Model No.	Description	Rated Watts	Input Watts	Initial Lumens	Universal Line Voltage (VAC)	Max Line Current (Amp) @ 120 - 277	THD	Power Factor	Weight
LED-122040-UNV	Square Surface Mount	40	41	2,800	120-277	0.34 - 0.15	<20%	>0.90	8 lbs

SPECIFICATIONS

- LED Driver Constant Current
- Power Supply 350mA
- Driver UL Rating Class 1
- Driver UL Outdoor Rated Wet Location
- Start Method InstantON
- Hot Re-start InstantON
- Universal Input Line Voltage 120-277 VAC
- Input Line Frequency 50/60 Hz
- Driver Off-State Draw 0 Watts
- Sound Rating Class A
- ANSI Surge Protection IEEE C62.41 C High
- Projected (L70) @ 25°C > 100,000 hrs.
- Color Temperature 5000°K
- Color Rendering Index (CRI) > 80
- Minimum Starting Temperature -40°C
- Maximum Starting Temperature +50°C
- Beam Angle 120°
- Lumens per Watt > 70
- Shock / Vibration Resistant Yes
- Power Factor > 0.90
- Total Harmonic Distortion < 20%
- Inrush Current Peak < 10 Amp
- FCC Compliance Part 15, Subp. C
- IP Rating IP65
- Warranty 5 Year

MOUNTING OPTIONS

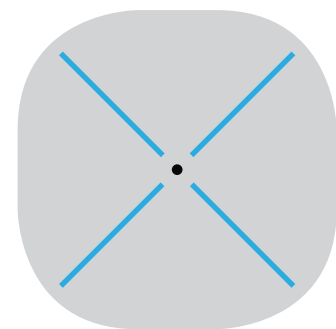
Surface Mount



Wall Mount



PHOTOMETRICS (See Complete IES File)



Type V Distribution

Neptun Light, Inc.
13950 Business Center Drive
Lake Forest, IL 60045
Fax: 847.735.8004

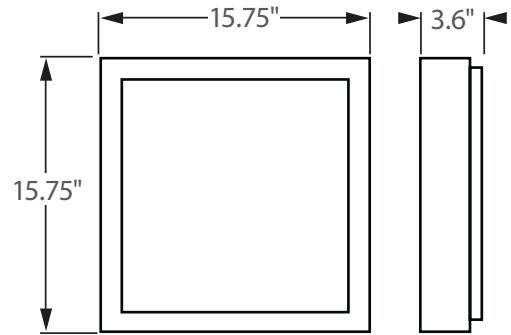
Neptun Light, Inc. reserves the right to change materials or modify the design of its product without notification as part of the company's continuing product improvement program.
©2002-2013 Neptun Light, Inc. All rights reserved. Spec. Rev. 4-2015



**** AVAILABLE ****

Bi-Level Dimming
100% 50%

0 - 10V
FULL DIMMING



Incredible **100,000 hrs**

GENERAL DESCRIPTION

Neptun's Square LED canopy fixture features classic design and durability to be used in new construction or retrofit applications. The LED-123 series canopy fixture features excellent optics for increased visibility, security, and to evenly illuminate intended area. The super slim design makes allows for mounting in low ceiling areas. It can replace existing HID & HPS canopy or parking garage fixtures up to 150 Watts.

APPLICATION

- Covered Walkway Lighting
- Hallway Lighting
- Stairwell Lighting
- Canopy Lighting

STRUCTURE, MATERIALS, & FEATURES

- Reinforced plastic housing.
- UV stabilized polycarbonate frosted lens for even glow
- Corrosion resistant electrocoat finish (custom colors available).
- Continuous silicone gasket surrounds lens for weather - tight IP65 seal.
- Slim design with no exterior screws or hardware.
- High Output LED's.
- High power factor, low THD driver with 10kV Surge Protection.
- Instant-On flicker-free Cold Start and Hot Re-Start.
- Bright white light (5000°K) for greater visibility and safety.
- LED engine design with Advanced Thermal Management
- Up to 15 year maintenance free operation.
- 5 Year Warranty on complete fixture. (LED's, Driver, & Housing)
- **Optional:** Bi-Level Dimming, 0-10V Dimming, Remote Monitoring and ON/ OFF Control, DC 24V Operation - Solar Compatible

ORDERING INFORMATION

Sample Number: LED-123060-UNV-0-10VDIM-850-BLK
Custom options and accessories available. Please consult factory

Series	Wattage	Voltage	Options	Color Temp	Accessories	Color
LED-123 = Square Canopy	060 = 60 W	UNV = 120-277 VAC 347V = 347 VAC 480V = 480 VAC 24VDC = 24 VDC	0-10VDIM = 0-10V Dimming BL-DIM = Bi-Level Dimming * * Includes Motion Sensor ** Contact Factory for dimming options	835 = 3500°K 841 = 4100°K 850 = 5000°K * * Standard	MD = Motion Detector ON/OFF	DGRY = Dark Grey BLK = Black * Custom Colors Available



PRODUCT INFORMATION

Model No.	Description	Rated Watts	Input Watts	Initial Lumens	Universal Line Voltage (VAC)	Max Line Current (Amp) @ 120 - 277	THD	Power Factor	Weight
LED-123060-UNV	Square Surface Mount	60	61	4,200	120-277	0.52 - 0.22	<20%	>0.90	10 lbs

SPECIFICATIONS

- LED Driver Constant Current
- Power Supply 350mA
- Driver UL Rating Class 1
- Driver UL Outdoor Rated Wet Location
- Start Method InstantON
- Hot Re-start InstantON
- Universal Input Line Voltage 120-277 VAC
- Input Line Frequency 50/60 Hz
- Driver Off-State Draw 0 Watts
- Sound Rating Class A
- ANSI Surge Protection IEEE C62.41 C High
- Projected (L70) @ 25°C > 100,000 hrs.
- Color Temperature 5000°K
- Color Rendering Index (CRI) > 80
- Minimum Starting Temperature -40°C
- Maximum Starting Temperature +50°C
- Beam Angle 120°
- Lumens per Watt > 70
- Shock / Vibration Resistant Yes
- Power Factor > 0.90
- Total Harmonic Distortion < 20%
- Inrush Current Peak < 10 Amp
- FCC Compliance Part 15, Subp. C
- IP Rating IP65
- Warranty 5 Year

MOUNTING OPTIONS

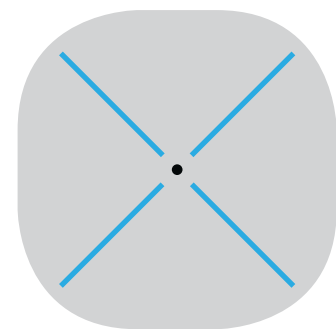
Surface Mount



Wall Mount



PHOTOMETRICS (See Complete IES File)



Type V Distribution

Neptun Light, Inc.
 13950 Business Center Drive
 Lake Forest, IL 60045
 Fax: 847.735.8004

Neptun Light, Inc. reserves the right to change materials or modify the design of its product without notification as part of the company's continuing product improvement program.
 ©2002-2013 Neptun Light, Inc. All rights reserved. Spec. Rev. 4-2015

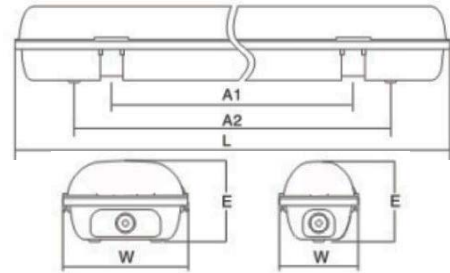


OUTDOOR RATED
IP65

** AVAILABLE **

Bi-Level Dimming
100% 50%

0-10V FULL DIMMING



Model#	L	A1	A2	W	E
VPT24-020	25.9"	15.75"	19.68"	4.13"	4.13"
VPT24-030	25.9"	15.75"	19.68"	6.41"	4.13"
VPT48-040	49.92"	35.40"	39.37"	4.13"	4.13"
VPT48-050	49.92"	35.40"	39.37"	6.41"	4.13"
VPT60-050	61.73"	35.40"	47.24"	4.13"	4.13"
VPT60-060	61.73"	35.40"	47.24"	6.41"	4.13"

Incredible **100,000** hrs

GENERAL DESCRIPTION

Neptun's Vapor Tight LED linear fixture features classic design and durability to be used in new construction or retrofit applications. The LED-VPT series fixture features excellent optics for increased visibility, security, and to evenly illuminate intended area. The versatile design allows for use in a variety of indoor and outdoor applications. Can replace existing vapor tight Fluorescent style fixtures up to 140W.

APPLICATION

- Canopy Lighting
- Covered Walkway Lighting
- Parking Garage Lighting
- Stairwell Lighting
- Security Lighting

STRUCTURE, MATERIALS, & FEATURES

- Heat & impact resistant reinforced plastic housing.
- Diffused impact resistant acrylic lens ensures strength.
- Corrosion resistant electrocoat finish (custom colors available).
- Continuous silicone gasket surrounds lens for weather - tight IP65 seal.
- Slim design with tool-less entry polycarbonate latches.
- High Output LED's.
- High power factor, low THD driver with 10kV Surge Protection.
- Instant-On flicker-free Cold Start and Hot Re-Start.
- Bright white light (5000°K) for greater visibility and safety.
- LED engine design with Advanced Thermal Management
- Up to 15 year maintenance free operation.
- 5 Year Warranty on complete fixture. (LED's, Driver, & Housing)
- **Optional:** Bi-Level Dimming, 0-10V Dimming, Remote Monitoring and ON/ OFF Control, DC 24V Operation - Solar Compatible

ORDERING INFORMATION

Sample Number: LED-123060-UNV-0-10VDIM-850-BLK
Custom options and accessories available. Please consult factory

Series	Wattage	Voltage	Options	Color Temp	Accessories	Color
LED-VPT = Vapor Tight Fixture	24-020 = 20 W (2') 24-030 = 30 W (2') 48-040 = 40 W (4') 48-050 = 50 W (4') 60-050 = 50 W (5') 60-060 = 60 W (5')	UNV = 120-277 VAC 24VDC = 24 VDC	0-10VDIM = 0-10V Dimming BL-DIM = Bi-Level Dimming * * Includes Motion Sensor ** Contact Factory for dimming options	835 = 3500°K 841 = 4100°K 850 = 5000°K * * Standard	MD = Motion Detector ON/OFF	GRY = Grey * Custom Colors Available



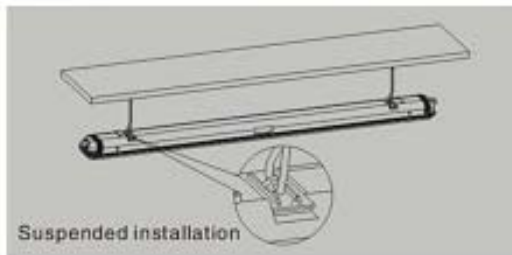
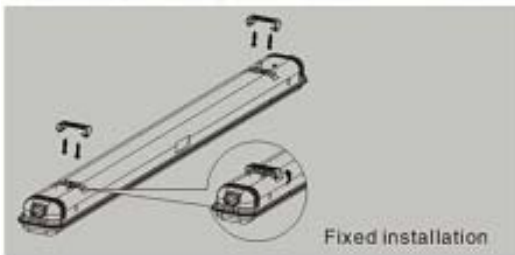
PRODUCT INFORMATION

Model No.	Description	Rated Watts	Input Watts	Initial Lumens	Universal Line Voltage (VAC)	Max Line Current (Amp) @ 120 - 277	THD	Power Factor	Weight
LED-VPT24-020-UNV	Vapor Tight LED	20	21	1,900	120-277	0.17 - 0.07	<20%	>0.90	4 lbs
LED-VPT24-030-UNV	Vapor Tight LED	30	31	2,850	120-277	0.26 - 0.11	<20%	>0.90	4 lbs
LED-VPT48-040-UNV	Vapor Tight LED	40	41	3,800	120-277	0.34 - 0.15	<20%	>0.90	6 lbs
LED-VPT48-050-UNV	Vapor Tight LED	50	51	4,750	120-277	0.43 - 0.18	<20%	>0.90	6 lbs
LED-VPT60-050-UNV	Vapor Tight LED	50	51	4,750	120-277	0.43 - 0.18	<20%	>0.90	8 lbs
LED-VPT60-060-UNV	Vapor Tight LED	60	61	5,700	120-277	0.52 - 0.22	<20%	>0.90	8 lbs

SPECIFICATIONS

- LED Driver Constant Current
- Power Supply 350mA
- Driver UL Rating Class 1
- Driver UL Outdoor Rated Wet Location
- Start Method InstantON
- Hot Re-start InstantON
- Universal Input Line Voltage 120-277 VAC
- Input Line Frequency 50/60 Hz
- Driver Off-State Draw 0 Watts
- Sound Rating Class A
- ANSI Surge Protection IEEE C62.41 C High
- Projected (L70) @ 25°C > 100,000 hrs.
- Color Temperature 5000°K
- Color Rendering Index (CRI) > 80
- Minimum Starting Temperature -40°C
- Maximum Starting Temperature +50°C
- Lumens per Watt > 95
- Shock / Vibration Resistant Yes
- Power Factor > 0.90
- Total Harmonic Distortion < 20%
- Inrush Current Peak < 10 Amp
- FCC Compliance Part 15, Subp. C
- Housing IP Rating IP65
- Driver IP Rating IP67
- Warranty 5 Year

MOUNTING OPTIONS



Neptun Light, Inc.
 13950 Business Center Drive
 Lake Forest, IL 60045
 Fax: 847.735.8004

Neptun Light, Inc. reserves the right to change materials or modify the design of its product without notification as part of the company's continuing product improvement program.
 ©2002-2013 Neptun Light, Inc. All rights reserved.

Spec. Rev. 5-2015



LED Lighting Limited Warranty

NEPTUN Light, Inc ("NEPTUN"), 13950 Business Center Dr, Lake Forest, IL 60045 warrants that its LED (Light Emitting Diodes) light bulbs and LED lighting systems will be free from defect in material and workmanship from the date of installation for **5 years**

This warranty is conditioned upon proper storage, installation, use and maintenance. This warranty is not applicable to any Neptun LED lighting products which are not installed and operated in accordance with the current edition of the National Electric Code (NEC), the Standards for Safety of Underwriter's Laboratories, INC (UL), the Standards of the American National Standards Institute (ANSI), and with NEPTUN's instructions and guidelines for LED bulb and LED lighting systems. This warranty is not applicable to any Neptun LED lighting products subjected to abnormal stresses and operating conditions.

NEPTUN shall correct any defects, at NEPTUN's option, by either repairing any defective part or parts or by replacing any defective part or parts or by making available a new replacement part at no charge.

The conditions of any test concerning any Neptun LED products which are claimed to have not performed to the warranty shall be mutually agreed upon in writing and NEPTUN shall be notified of, and may be represented at any such tests. This express limited warranty is extended by NEPTUN only to original or first end-user purchaser.

This warranty is valid only if registered by end-user, purchaser, upon receipt by NEPTUN of the WARRANTY REGISTRATION FORM with specific information about the LED light bulb and LED lighting system installation. Product Warranty only valid once invoice is paid in full according to terms.

NO IMPLIED STATUTORY WARRANTY OF MERCHANTABILITY OR FITNESS FOR A PARTICULAR PURPOSE SHALL APPLY BEYOND THE AFOREMENTIONED WARRANTY PERIOD. The foregoing warranty is exclusive of all other statutory, written or oral warranties, and no other warranties of any kind, statutory or otherwise, are given or herein expressed. This warranty sets forth NEPTUN's responsibilities regarding the Neptun LED lighting systems and claimant's exclusive remedy.

LIMITATION OF LIABILITY. NEPTUN will not under any circumstances whether as a result of breach of contract, breach of warranty, tort, strict liability or otherwise be liable for consequential, incidental, special or exemplary damages including but not limited to, loss of profits or revenues, loss of use of Neptun LED products or any other goods or associated equipment or damage to any associated equipment, cost of capital, cost of substitute products, facilities of services, down time cost, or claims of claimant's customers.

NEPTUN's liability or any claim of any kind for any loss or damages arising out of, resulting from or concerning any aspect of this agreement or from the product or services furnished hereunder shall not exceed the price of the specific LED product which gives rise to the claim.

This warranty gives the claimant specific legal rights. The claimant may also have other rights which vary from state to state.

NOTE: For more information please call Customer Service at 1-888-735-8330 or email: orders@neptunlight.com

Revision Date: February, 2015



LED Lighting Limited Warranty

NEPTUN Light, Inc ("NEPTUN"), 13950 Business Center Dr., Lake Forest, IL 60045 warrants that its LED (Light Emitting Diodes) Fixtures utilizing COB (Chip on Board) technology with Glass Lens design will be free from defect in material and workmanship from the date of installation for **10 years**.

This warranty is conditioned upon proper storage, installation, use and maintenance. This warranty is not applicable to any Neptun LED COB lighting products which are not installed and operated in accordance with the current edition of the National Electrical Code (NEC), the Standards for Safety of Underwrites' Laboratories, INC. (UL), the Standards of the American National Standards Institute (ANSI), and with NEPTUN's instruction and guidelines for the LED COB lighting systems. This warranty is not applicable to any Neptun LED COB lighting products subjected to abnormal stresses and operating conditions

NEPTUN shall correct any defects, at NEPTUN's option, by either repairing any defective part or parts or by replacing any defective part or parts or by making available a new replacement part at no charge.

The conditions of any tests concerning any NEPTUN LED COB products which are claimed to have not performed to this warranty shall be mutually agreed upon in writing and NEPTUN shall be notified of, and may be represented at any such tests. This express limited warranty is extended by NEPTUN only to be the original or first end-user purchaser.

This warranty is valid only if registered by end-user, purchaser, upon receipt by NEPTUN of the WARRANTY REGISTRATION FORM with specific information about the LED COB lighting system installation. Product Warranty only valid once invoice is paid in full according to terms.

NO IMPLIED STATUTORY WARRANTY OF MERCHANTABILITY OR FITNESS FOR A PARTICULAR PURPOSE SHALL APPLY BEYOND THE AFOREMENTIONED WARRANTY PERIOD. The foregoing warranty is exclusive of all other statutory, written or oral warranties, and no other warranties of any kind, statutory or otherwise, are given or herein expressed. This warranty sets forth NEPTUN's responsibilities regarding the Neptun LED COB lighting system and claimant's exclusive remedy.

LIMITATION OF LIABILITY. NEPTUN will not under any circumstances whether as a result of breach of contract, breach of warranty, tort, strict liability or otherwise be liable for consequential, incidental, special or exemplary damages including but not limited to, loss of profits or revenues, loss of use of NEPTUN LED COB products or any other goods or associated equipment or damage to any associated equipment, cost of capital, cost of substitute products, facilities of services, down time cost, or claims or claimant's customers.

NEPTUN's liability on any claim of any kind for any loss or damages arising out of, resulting from or concerning any aspect of this agreement of from the product or services furnished hereunder shall not exceed the price of the specific LED COB product which gives rise to the claim.

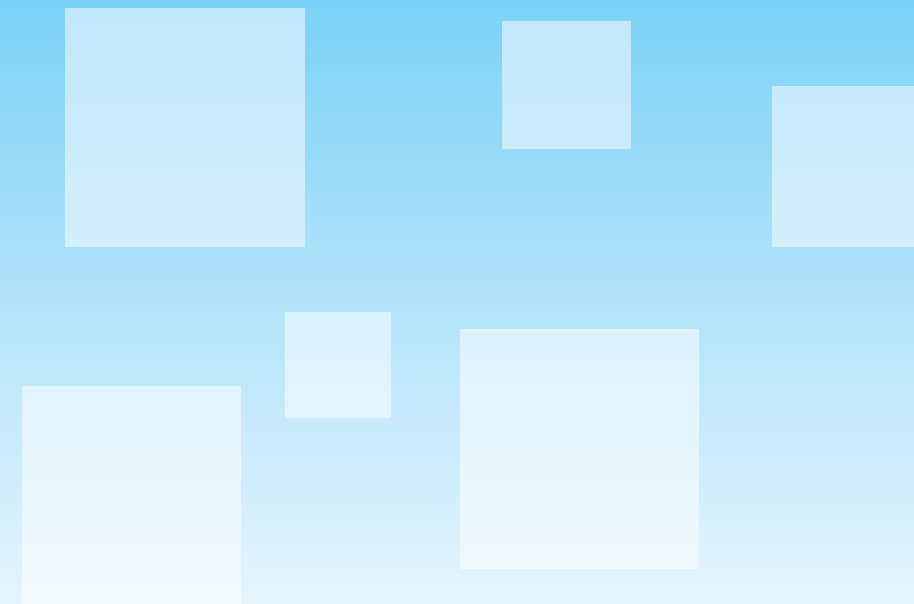
This warranty gives the claimant specific legal rights. The claimant may also have other rights which vary from state to state.

NOTE: For more information please call Customer Service at 1-888-735-8330 or email: orders@neptunlight.com



*lightinnovations@work*TM

Neptun Light is a leader in the manufacture of energy efficient retrofit products and light fixtures in the fields of LED, Induction, and Solar technology. We boast a highly diversified product portfolio of indoor and outdoor products. Additionally, our products span a wide range of commercial, industrial, government, and utility infrastructure applications. Neptun Light achieves its level of success through timely development of new technology that caters to a constantly evolving marketplace. Among Neptun Light's core values are continuous innovation, high quality products, a focus on energy conservation, and an uncompromised commitment to customer service.



Neptun Light, Inc.

13950 Business Center Dr.
Lake Forest, Illinois 60045 USA
Tel: (888) 735-8330
Fax: (847) 735-8004
www.NeptunLight.com

