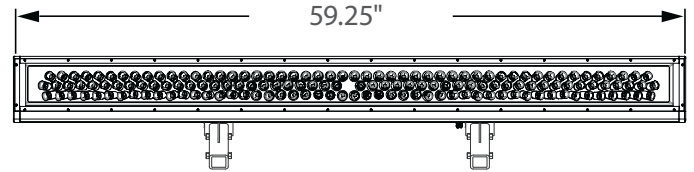




PRODUCT DATA SHEETS

LED Specialty Lighting
Billboard & Grow Lighting

UP TO 75% ENERGY SAVINGS



When Mounting From
Top of Billboard

Incredible 100,000 hrs

GENERAL DESCRIPTION

Neptun's Ad-Poster™ II LED billboard fixtures combine architectural form and patented design to make it an excellent choice for retrofit or new billboard applications. The 100 PCS, High Output LED's, and custom engineered optics, provide highly uniform illumination of various billboard sizes. It can replace existing HID billboard fixtures up to 400W.

APPLICATION

- 24'W x 15'H Billboard Requires 1 Unit
- 36'W x 15'H Billboard Requires 2 Units
- 48'W x 15'H Billboard Requires 3 Units

STRUCTURE, MATERIALS, & FEATURES

- Heavy-gauge, die-cast aluminum housing.
- LED engine design with Advanced Thermal Management.
- Corrosion resistant electrocoat gray finish (custom colors available).
- Slim, state of the art, low profile design for minimum wind load resistance.
- Heat and impact resistant tempered flat glass lens.
- Continuous silicone gasketing surrounds lens for IP67 weather tight seal.
- 1-1/2" I.D. Slip Fitter Accepts up to 1-1/4" Pipe or Tenon. (hardware included)
- Correlated Color Temperature of (5000°K) for greater visibility.
- High power factor, low THD driver with 10kV Surge Protection.
- InstantON flicker-free Cold Start and Hot Re-Start.
- Up to 15 years Maintenance free operation.
- 5 Year Warranty on complete fixture. (LED's, Driver, & Housing)

ORDERING INFORMATION

Sample Number: LED-84120-UNV-850
Custom options and accessories available. Please consult factory

| Source | Series | Wattage | Voltage | Color Temp. |
|-----------|------------------------|-------------|-------------------|--------------|
| LED = LED | 84 = Billboard Fixture | 120 = 120 W | UNV = 120-277 VAC | 850 = 5000°K |



lightinnovations@work™

PRODUCT INFORMATION

| Model No. | Description | Rated Watts | Input Watts | Initial Lumens | Universal Line Voltage (VAC) | Max Line Current (Amp) | THD | Power Factor | Weight |
|---------------|-----------------------|-------------|-------------|----------------|------------------------------|------------------------|------|--------------|--------|
| LED-84120-UNV | LED Billboard Fixture | 120 | 122 | 10,800 | 120-277 | 1.05 - 0.45 | <20% | >0.90 | 35 lbs |

SPECIFICATIONS

- Driver Constant Current
- Start Method InstantON
- Hot Re-start InstantON
- Power Supply 350mA
- Driver UL Rating Class 1
- Driver UL Outdoor Rated Wet Location
- Sound Rating Class A
- ANSI Surge Protection IEEE C62.41 C High
- Inrush Current Peak < 10 Amp
- Current Crest Factor 1.5 maximum
- Load Regulation: 5% output current variation across load range
- Line Regulation: 1% output voltage variation across voltage range
- Driver Off-State Draw 0 Watts
- Vibration Compliance 3G
- Universal Input Line Voltage 120-277 VAC
- Input Line Frequency 50/60 Hz
- Projected (L70) @ 25°C > 100,000 hrs.
- Color Temperature 5,000°K
- Color Rendering Index (CRI) > 80
- Minimum Starting Temperature -40°C
- Maximum Starting Temperature +50°C
- Lumens per Watt > 90
- Power Factor > 0.90
- Total Harmonic Distortion < 20%
- FCC Compliance Part 15, Subp. C
- IP Rating IP67
- Warranty 5 Year

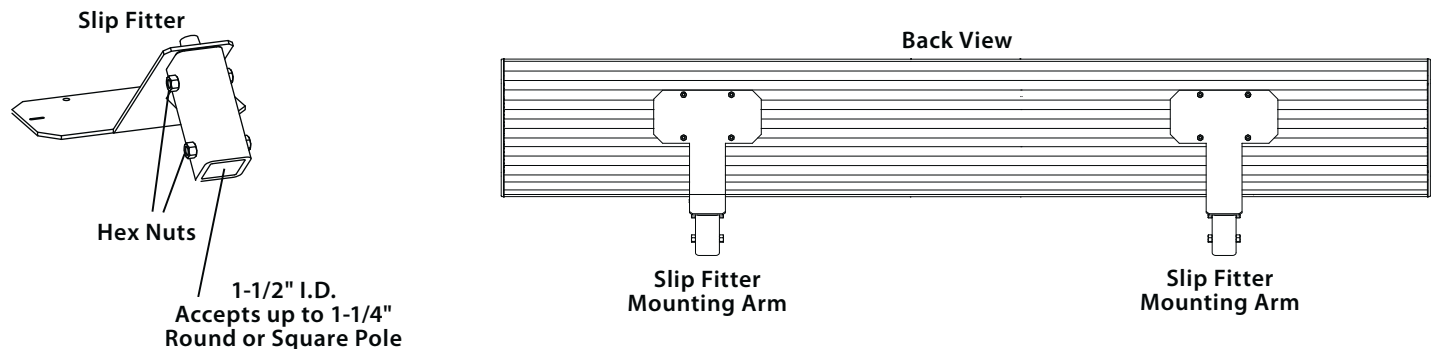


36' x 15' Billboard
(2) Ad-Poster II Units

FOR BEST RESULTS

- Fixtures should be mounted at least 6 ft. from the surface of the board
- Fixtures should be mounted at least 1 ft. from the bottom or top of the board

MOUNTING OPTIONS

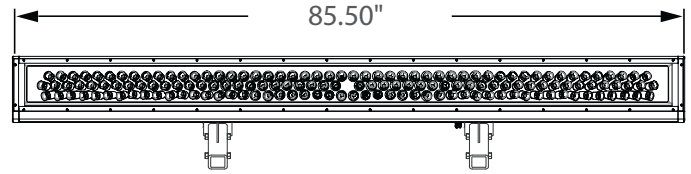


Neptun Light, Inc.
13950 Business Center Drive
Lake Forest, IL 60045
Fax: 847.735.8004

Neptun Light, Inc. reserves the right to change materials or modify the design of its product without notification as part of the company's continuing product improvement program.
©2002-2013 Neptun Light, Inc. All rights reserved.

Spec. Rev. 1-2015

UP TO 75% ENERGY SAVINGS



When Mounting From
Top of Billboard

Incredible 100,000 hrs

GENERAL DESCRIPTION

Neptun's Ad-Bulletin™ LED billboard fixtures combine architectural form and patented design to make it an excellent choice for retrofit or new billboard applications. The 150 PCS, High Output LED's, and custom engineered optics, provide highly uniform illumination of various billboard sizes. It can replace existing HID billboard fixtures up to 400W.

APPLICATION

- 36'W x 15'H Billboard Requires 2 Units
- 48'W x 15'H Billboard Requires 2 Units

STRUCTURE, MATERIALS, & FEATURES

- Heavy-gauge, die-cast aluminum housing.
- LED engine design with Advanced Thermal Management.
- Corrosion resistant electrocoat gray finish (custom colors available).
- Slim, state of the art, low profile design for minimum wind load resistance.
- Heat and impact resistant tempered flat glass lens.
- Continuous silicone gasketing surrounds lens for IP67 weather tight seal.
- 1-1/2" I.D. Slip Fitter Accepts up to 1-1/4" Pipe or Tenon. (hardware included)
- Correlated Color Temperature of (5000°K) for greater visibility.
- High power factor, low THD driver with 10kV Surge Protection.
- InstantON flicker-free Cold Start and Hot Re-Start.
- Up to 15 years Maintenance free operation.
- 5 Year Warranty on complete fixture. (LED's, Driver, & Housing)

ORDERING INFORMATION

Sample Number: LED-84175-UNV-850
Custom options and accessories available. Please consult factory

| Source | Series | Wattage | Voltage | Color Temp. |
|-----------|------------------------|-------------|-------------------|--------------|
| LED = LED | 84 = Billboard Fixture | 175 = 175 W | UNV = 120-277 VAC | 850 = 5000°K |



lightinnovations@work™

PRODUCT INFORMATION

| Model No. | Description | Rated Watts | Input Watts | Initial Lumens | Universal Line Voltage (VAC) | Max Line Current (Amp) @ 120 - 277 | THD | Power Factor | Weight |
|---------------|-----------------------|-------------|-------------|----------------|------------------------------|------------------------------------|------|--------------|--------|
| LED-84175-UNV | LED Billboard Fixture | 175 | 177 | 15,750 | 120-277 | 1.53 - 0.66 | <20% | >0.90 | 50 lbs |

SPECIFICATIONS

- Driver Constant Current
- Start Method InstantON
- Hot Re-start InstantON
- Power Supply 350mA
- Driver UL Rating Class 1
- Driver UL Outdoor Rated Wet Location
- Sound Rating Class A
- ANSI Surge Protection IEEE C62.41 C High
- Inrush Current Peak < 10 Amp
- Current Crest Factor 1.5 maximum
- Load Regulation: 5% output current variation across load range
- Line Regulation: 1% output voltage variation across voltage range
- Driver Off-State Draw 0 Watts
- Vibration Compliance 3G
- Universal Input Line Voltage 120-277 VAC
- Input Line Frequency 50/60 Hz
- Projected (L70) @ 25°C > 100,000 hrs.
- Color Temperature 5,000°K
- Color Rendering Index (CRI) > 80
- Minimum Starting Temperature -40°C
- Maximum Starting Temperature +50°C
- Lumens per Watt > 90
- Power Factor > 0.90
- Total Harmonic Distortion < 20%
- FCC Compliance Part 15, Subp. C
- IP Rating IP67
- Warranty 5 Year



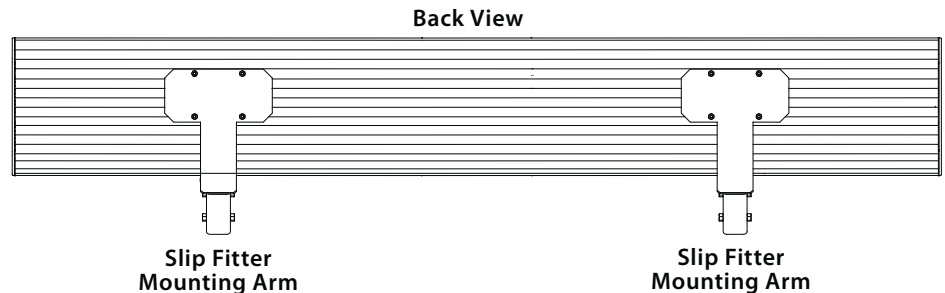
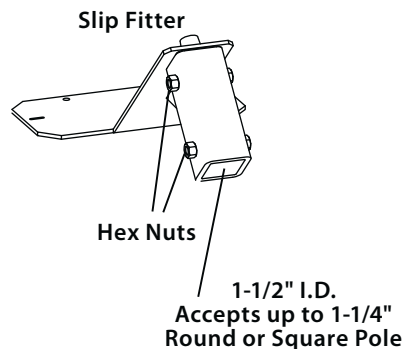
48' x 15' Billboard

(2) Ad-Bulletin Units

FOR BEST RESULTS

- Fixtures should be mounted at least 6 ft. from the surface of the board
- Fixtures should be mounted at least 1 ft. from the bottom or top of the board

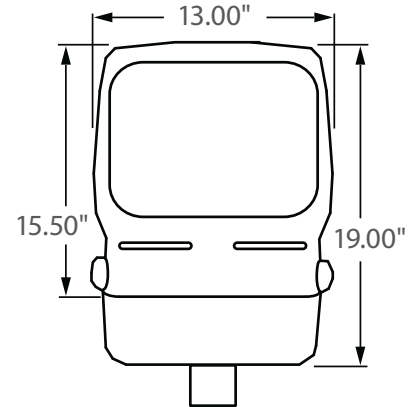
MOUNTING OPTIONS



Neptun Light, Inc.
 13950 Business Center Drive
 Lake Forest, IL 60045
 Fax: 847.735.8004

Neptun Light, Inc. reserves the right to change materials or modify the design of its product without notification as part of the company's continuing product improvement program.
 ©2002-2013 Neptun Light, Inc. All rights reserved.

Spec. Rev. 1-2015



Incredible **100,000** hrs

GENERAL DESCRIPTION

Neptun's LED retrofit billboard fixtures combine architectural form and patented design to make it an excellent choice for retrofit or new billboard and sign applications. The 80 PCS, High Output Cree LED's, and custom engineered optics, provide highly uniform illumination of various billboard sizes. Direct replacement for Holophane HID fixtures up to 400W provides uniform billboard illumination of 17' x 17'.

APPLICATION

- (2) 120W units replace (2) 400W HID fixtures on 11'x25' billboard.
- (3) 100W-120W units replace (3) 400W HID fixtures on 14'x36' billboard.
- (4) 80W-120W units replaces (4) 400W HID fixtures on 17'x48' billboard.

STRUCTURE, MATERIALS, & FEATURES

- Heavy-gauge, die-cast aluminum housing.
- LED engine design with Advanced Thermal Management.
- Corrosion resistant electrocoat grey finish (custom colors available).
- Slim, state of the art, low profile design for minimum wind load resistance.
- Heat and impact resistant tempered flat glass lens.
- Continuous silicone gasketing surrounds fixture for IP66 weather tight seal.
- 1-1/2" I.D. Slip Fitter Accepts up to 1-1/4" Pipe or Tenon. (hardware included)
- Correlated Color Temperature of (5000°K) for greater visibility.
- Patented constant light control output over 75,000 hrs. life.
- High power factor, low THD driver with 10kV Surge Protection.
- InstantON flicker-free Cold Start and Hot Re-Start.
- Up to 15 years Maintenance free operation.
- 10 Year Warranty on complete fixture. (LED's, Driver, & Housing)

ORDERING INFORMATION

Sample Number: LED-86080-UNV-0-10VDIM-850
 Custom options and accessories available. Please consult factory

| Series | Wattage | Voltage | Options | Color Temp. | Accessories | Color |
|-------------------------------------|--|---|---|--------------|--|---|
| LED-86 = Retrofit Billboard Fixture | 080 = 80 W 100 = 100 W 120 = 120 W | UNV = 120-277 VAC 347V = 347 VAC 480V = 480 VAC 24VDC = 24 VDC | 0-10VDIM = 0-10V Dimming * Contact Factory for Dimming Options | 850 = 5000°K | LD-120V = 120V Photocell LD-277V = 277V Photocell | GRY = Grey * Custom Colors Available |



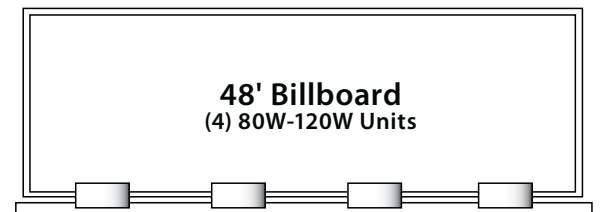
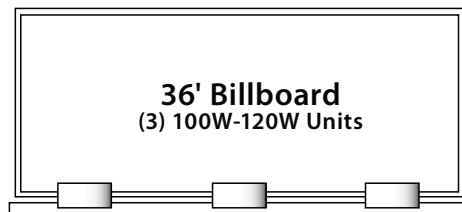
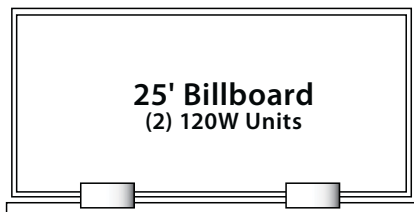
PRODUCT INFORMATION

| Model No. | Description | Rated Watts | Input Watts | Initial Lumens | Universal Line Voltage (VAC) | Max Line Current (Amp) @ 120 - 277 | THD | Power Factor | Weight |
|---------------|-----------------------|-------------|-------------|----------------|------------------------------|------------------------------------|------|--------------|--------|
| LED-86080-UNV | LED Billboard Fixture | 80 | 82 | 8,000 | 120-277 | 0.69 - 0.30 | <20% | >0.90 | 25 lbs |
| LED-86100-UNV | LED Billboard Fixture | 100 | 102 | 10,000 | 120-277 | 0.87 - 0.37 | <20% | >0.90 | 25 lbs |
| LED-86120-UNV | LED Billboard Fixture | 120 | 122 | 12,000 | 120-277 | 1.05 - 0.45 | <20% | >0.90 | 25 lbs |

SPECIFICATIONS

- Driver Constant Current
- Start Method InstantON
- Hot Re-start InstantON
- Power Supply 350mA
- Driver UL Rating Class 1
- Driver UL Outdoor Rated Wet Location
- Sound Rating Class A
- ANSI Surge Protection IEEE C62.41 C High
- Inrush Current Peak < 10 Amp
- Current Crest Factor 1.5 maximum
- Load Regulation: 5% output current variation across load range
- Line Regulation: 1% output voltage variation across voltage range
- Driver Off-State Draw 0 Watts
- Vibration Compliance 3G
- Universal Input Line Voltage 120-277 VAC
- Input Line Frequency 50/60 Hz
- Projected (L70) @ 25°C > 100,000 hrs.
- Color Temperature 5,000°K
- Color Rendering Index (CRI) > 80
- Minimum Starting Temperature -40°C
- Maximum Starting Temperature +50°C
- Lumens per Watt > 90
- Power Factor > 0.90
- Total Harmonic Distortion < 20%
- FCC Compliance Part 15, Subp. C
- Housing IP Rating IP65
- Driver IP Rating IP67
- Optics IP Rating IP66
- Warranty 10 Year

COVERAGE RECOMMENDATIONS



MOUNTING OPTIONS

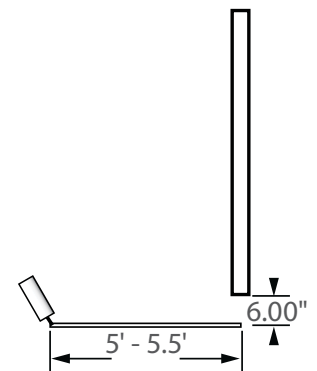
Slip Fitter



1-1/2" I.D.
Accepts up to 1-1/4"
Round or Square Pole

FOR BEST RESULTS

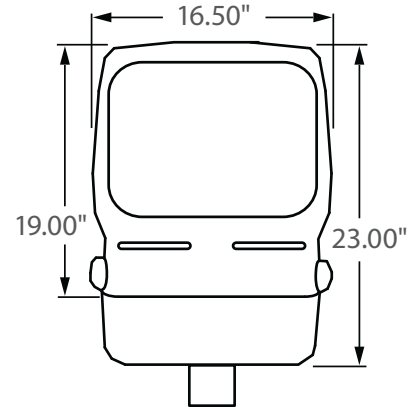
- Fixtures should be mounted at least 5 to 5-1/2 ft. from the surface of the board
- Fixtures should be mounted at 30° pre-adjusted at factory.
- 1 for 1 replacement of existing 400W HID Holophane fixtures.



Neptun Light, Inc.
13950 Business Center Drive
Lake Forest, IL 60045
Fax: 847.735.8004

Neptun Light, Inc. reserves the right to change materials or modify the design of its product without notification as part of the company's continuing product improvement program.
©2002-2013 Neptun Light, Inc. All rights reserved.

Spec. Rev. 1-2015



Incredible **100,000** hrs

GENERAL DESCRIPTION

Neptun's LED retrofit billboard fixtures combine architectural form and patented design to make it an excellent choice for retrofit or new billboard and sign applications. The 100 PCS, High Output Cree LED's, and custom engineered optics, provide highly uniform illumination of various billboard sizes. Direct replacement for Holophane HID fixtures up to 400W provides uniform billboard illumination of 17' x 25'.

APPLICATION

- (4) units replaces (4) 400W HID fixtures on 17' x 48' billboard.

STRUCTURE, MATERIALS, & FEATURES

- Heavy-gauge, die-cast aluminum housing.
- LED engine design with Advanced Thermal Management.
- Corrosion resistant electrocoat grey finish (custom colors available).
- Slim, state of the art, low profile design for minimum wind load resistance.
- Heat and impact resistant tempered flat glass lens.
- Continuous silicone gasketing surrounds fixture for IP66 weather tight seal.
- 1-1/2" I.D. Slip Fitter Accepts up to 1-1/4" Pipe or Tenon. (hardware included)
- Correlated Color Temperature of (5000°K) for greater visibility.
- Patented constant light control output over 75,000 hrs. life.
- High power factor, low THD driver with 10kV Surge Protection.
- InstantON flicker-free Cold Start and Hot Re-Start.
- Up to 15 years Maintenance free operation.
- 10 Year Warranty on complete fixture. (LED's, Driver, & Housing)

ORDERING INFORMATION

Sample Number: LED-86130-UNV-0-10VDIM-850
 Custom options and accessories available. Please consult factory

| Series | Wattage | Voltage | Options | Color Temp. | Accessories | Color |
|-------------------------------------|---|---|---|--------------|--|---|
| LED-86 = Retrofit Billboard Fixture | 130 = 130 W 140 = 140 W 150 = 150 W | UNV = 120-277 VAC 347V = 347 VAC 480V = 480 VAC 24VDC = 24 VDC | 0-10VDIM = 0-10V Dimming * Contact Factory for Dimming Options | 850 = 5000°K | LD-120V = 120V Photocell LD-277V = 277V Photocell | GRY = Grey * Custom Colors Available |



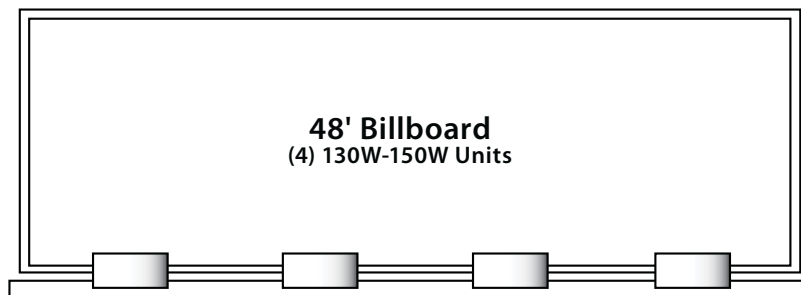
PRODUCT INFORMATION

| Model No. | Description | Rated Watts | Input Watts | Initial Lumens | Universal Line Voltage (VAC) | Max Line Current (Amp) @ 120 - 277 | THD | Power Factor | Weight |
|---------------|-----------------------|-------------|-------------|----------------|------------------------------|------------------------------------|------|--------------|--------|
| LED-86130-UNV | LED Billboard Fixture | 130 | 132 | 13,000 | 120-277 | 1.13 - 0.49 | <20% | >0.90 | 30 lbs |
| LED-86140-UNV | LED Billboard Fixture | 140 | 142 | 14,000 | 120-277 | 1.22 - 0.53 | <20% | >0.90 | 30 lbs |
| LED-86150-UNV | LED Billboard Fixture | 150 | 152 | 15,000 | 120-277 | 1.31 - 0.56 | <20% | >0.90 | 30 lbs |

SPECIFICATIONS

- Driver Constant Current
- Start Method InstantON
- Hot Re-start InstantON
- Power Supply 350mA
- Driver UL Rating Class 1
- Driver UL Outdoor Rated Wet Location
- Sound Rating Class A
- ANSI Surge Protection IEEE C62.41 C High
- Inrush Current Peak < 10 Amp
- Current Crest Factor 1.5 maximum
- Load Regulation: 5% output current variation across load range
- Line Regulation: 1% output voltage variation across voltage range
- Driver Off-State Draw 0 Watts
- Vibration Compliance 3G
- Universal Input Line Voltage 120-277 VAC
- Input Line Frequency 50/60 Hz
- Projected (L70) @ 25°C > 100,000 hrs.
- Color Temperature 5,000°K
- Color Rendering Index (CRI) > 80
- Minimum Starting Temperature -40°C
- Maximum Starting Temperature +50°C
- Lumens per Watt > 90
- Power Factor > 0.90
- Total Harmonic Distortion < 20%
- FCC Compliance Part 15, Subp. C
- Housing IP Rating IP65
- Driver IP Rating IP67
- Optics IP Rating IP66
- Warranty 10 Year

COVERAGE RECOMMENDATIONS



MOUNTING OPTIONS

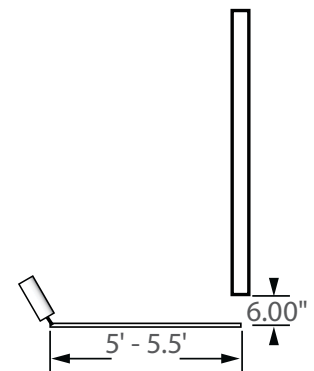
Slip Fitter



1-1/2" I.D.
Accepts up to 1-1/4"
Round or Square Pole

FOR BEST RESULTS

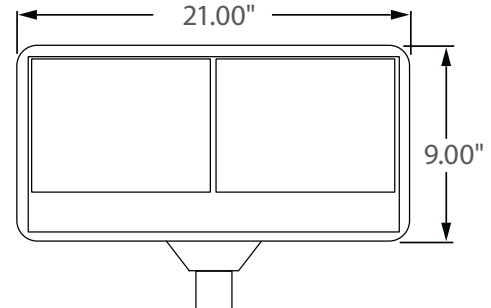
- Fixtures should be mounted at least 5 to 5-1/2 ft. from the surface of the board
- Fixtures should be mounted at 30° pre-adjusted at factory.
- 1 for 1 replacement of existing 400W HID Holophane fixtures.



Neptun Light, Inc.
13950 Business Center Drive
Lake Forest, IL 60045
Fax: 847.735.8004

Neptun Light, Inc. reserves the right to change materials or modify the design of its product without notification as part of the company's continuing product improvement program.
©2002-2013 Neptun Light, Inc. All rights reserved.

Spec. Rev. 1-2015



Incredible **100,000 hrs**

GENERAL DESCRIPTION

Neptun's LED Ad-Poster™ Modular billboard fixtures combine architectural form and patented design to make it an excellent choice for retrofit or new billboard applications. The 60 PCS, High Output Cree LED's and custom engineered optics provide highly uniform illumination of various billboard sizes. It can replace existing HID billboard fixtures up to 400W.

APPLICATION

- 25' Billboard requires 1 Unit

STRUCTURE, MATERIALS, & FEATURES

- Heavy-gauge, die-cast aluminum housing.
- LED engine design with Advanced Thermal Management.
- Corrosion resistant electrocoat grey finish (custom colors available).
- Slim, state of the art, low profile design for minimum wind load resistance.
- Heat and impact resistant tempered flat glass lens.
- Continuous silicone gasketing surrounds optics for IP68 weather tight seal.
- 1-1/2" I.D. Slip Fitter Accepts up to 1-1/4" Pipe or Tenon. (hardware included)
- Correlated Color Temperature of (5000°K) for greater visibility.
- Field selectable Power Input 80-100W.
- Patented constant light control output over 75,000 hrs. life.
- High power factor, low THD driver.
- InstantON flicker-free Cold Start and Hot Re-Start.
- Up to 15 years Maintenance free operation.
- 10 Year Warranty on complete fixture. (LED's, Driver, & Housing)

ORDERING INFORMATION

Sample Number: LED-87080-M2-UNV-850
 Custom options and accessories available. Please consult factory

| Series | Wattage | Voltage | Options | Color Temp. | Color |
|------------------------------------|--|---|---|--------------|---|
| LED-87 = Modular Billboard Fixture | 080-M2 = 80 W 090-M2 = 90 W 100-M2 = 100 W | UNV = 120-277 VAC 347V = 347 VAC 480V = 480 VAC 24VDC = 24 VDC | 0-10VDIM = 0-10V Dimming * Contact Factory for Dimming Options | 850 = 5000°K | GRY = Grey * Custom Colors Available |



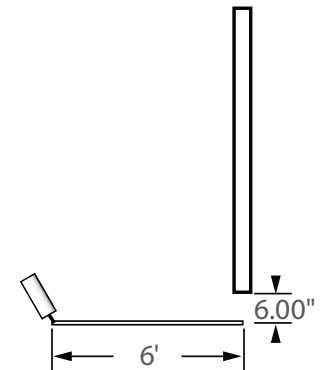
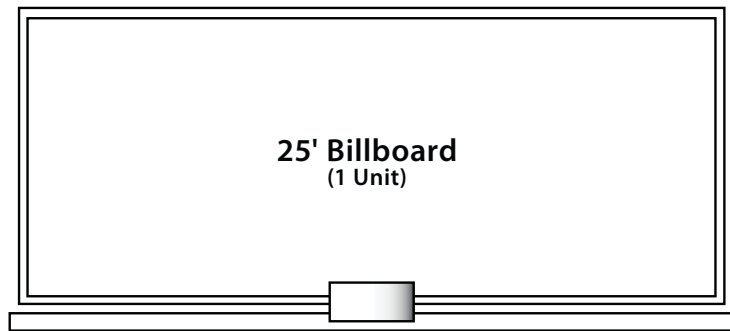
PRODUCT INFORMATION

| Model No. | Description | Rated Watts | Input Watts | Initial Lumens | Universal Line Voltage (VAC) | Max Line Current (Amp) @ 120 - 277 | THD | Power Factor | Weight |
|------------------|-----------------------|-------------|-------------|----------------|------------------------------|------------------------------------|------|--------------|--------|
| LED-87080-M2-UNV | LED Billboard Fixture | 80 | 82 | 8,000 | 120-277 | 0.69 - 0.30 | <20% | >0.90 | 25 lbs |
| LED-87090-M2-UNV | LED Billboard Fixture | 90 | 92 | 9,000 | 120-277 | 0.78 - 0.34 | <20% | >0.90 | 25 lbs |
| LED-87100-M2-UNV | LED Billboard Fixture | 100 | 102 | 10,000 | 120-277 | 0.87 - 0.37 | <20% | >0.90 | 25 lbs |

SPECIFICATIONS

- Driver Constant Current
- Start Method InstantON
- Hot Re-start InstantON
- Power Supply 350mA
- Driver UL Rating Class 1
- Driver UL Outdoor Rated Wet Location
- Sound Rating Class A
- ANSI Surge Protection IEEE C62.41 C High
- Inrush Current Peak < 10 Amp
- Current Crest Factor 1.5 maximum
- Load Regulation: 5% output current variation across load range
- Line Regulation: 1% output voltage variation across voltage range
- Driver Off-State Draw 0 Watts
- Vibration Compliance 3G
- Universal Input Line Voltage 120-277 VAC
- Input Line Frequency 50/60 Hz
- Projected (L70) @ 25°C > 100,000 hrs.
- Color Temperature 5,000°K
- Color Rendering Index (CRI) > 80
- Minimum Starting Temperature -40°C
- Maximum Starting Temperature +50°C
- Lumens per Watt > 90
- Power Factor > 0.90
- Total Harmonic Distortion < 20%
- FCC Compliance Part 15, Subp. C
- Housing IP Rating IP65
- Driver IP Rating IP67
- Optics IP Rating IP68
- Warranty 10 Year

COVERAGE RECOMMENDATIONS



MOUNTING OPTIONS

Slip Fitter



1-1/2" I.D.
Accepts up to 1-1/4"
Round or Square Pole

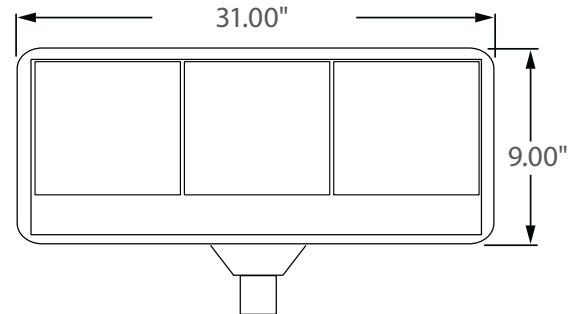
FOR BEST RESULTS

- Fixtures should be mounted at least 6 ft. from the surface of the board
- Fixtures should be mounted at 30° pre-adjusted at factory.

Neptun Light, Inc.
13950 Business Center Drive
Lake Forest, IL 60045
Fax: 847.735.8004

Neptun Light, Inc. reserves the right to change materials or modify the design of its product without notification as part of the company's continuing product improvement program.
©2002-2013 Neptun Light, Inc. All rights reserved.

Spec. Rev. 1-2015



Incredible **100,000 hrs**

GENERAL DESCRIPTION

Neptun's LED Ad-Bulletin™ Modular M3 billboard fixtures combine architectural form and patented design to make it an excellent choice for retrofit or new billboard applications. The 90 PCS, High Output Cree LED's and custom engineered optics provide highly uniform illumination of various billboard sizes. It can replace existing HID billboard fixtures up to 400W.

APPLICATION

- 25' Billboard requires 1 Unit
- 36' Billboard requires 2 Units

STRUCTURE, MATERIALS, & FEATURES

- Heavy-gauge, die-cast aluminum housing.
- LED engine design with Advanced Thermal Management.
- Corrosion resistant electrocoat grey finish (custom colors available).
- Slim, state of the art, low profile design for minimum wind load resistance.
- Heat and impact resistant tempered flat glass lens.
- Continuous silicone gasketing surrounds optics for IP68 weather tight seal.
- 1-1/2" I.D. Slip Fitter Accepts up to 1-1/4" Pipe or Tenon. (hardware included)
- Correlated Color Temperature of (5000°K) for greater visibility.
- Field selectable Power Input 110-130W.
- Patented constant light control output over 75,000 hrs. life.
- High power factor, low THD driver.
- InstantON flicker-free Cold Start and Hot Re-Start.
- Up to 15 years Maintenance free operation.
- 10 Year Warranty on complete fixture. (LED's, Driver, & Housing)

ORDERING INFORMATION

Sample Number: LED-87110-M3-UNV-0-10VDIM-850-GRY
Custom options and accessories available. Please consult factory

| Series | Wattage | Voltage | Options | Color Temp. | Color |
|------------------------------------|--|---|---|--------------|---|
| LED-87 = Modular Billboard Fixture | 110-M3 = 110 W 120-M3 = 120 W 130-M3 = 130 W | UNV = 120-277 VAC 347V = 347 VAC 480V = 480 VAC 24VDC = 24 VDC | 0-10VDIM = 0-10V Dimming * Contact Factory for Dimming Options | 850 = 5000°K | GRY = Grey * Custom Colors Available |



lightinnovations@work™

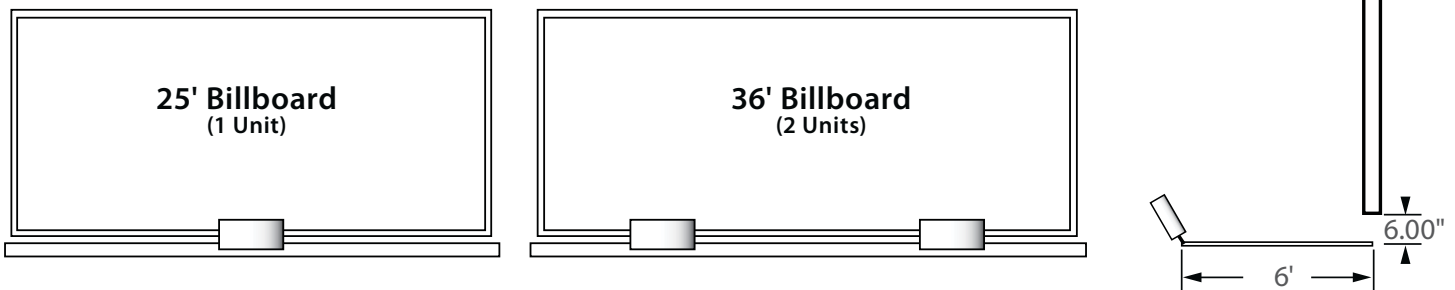
PRODUCT INFORMATION

| Model No. | Description | Rated Watts | Input Watts | Initial Lumens | Universal Line Voltage (VAC) | Max Line Current (Amp) @ 120 - 277 | THD | Power Factor | Weight |
|------------------|-----------------------|-------------|-------------|----------------|------------------------------|------------------------------------|------|--------------|--------|
| LED-87110-M3-UNV | LED Billboard Fixture | 110 | 112 | 11,000 | 120-277 | 0.96 - 0.41 | <20% | >0.90 | 32 lbs |
| LED-87120-M3-UNV | LED Billboard Fixture | 120 | 122 | 12,000 | 120-277 | 1.05 - 0.45 | <20% | >0.90 | 32 lbs |
| LED-87130-M3-UNV | LED Billboard Fixture | 130 | 132 | 13,000 | 120-277 | 1.13 - 0.49 | <20% | >0.90 | 32 lbs |

SPECIFICATIONS

- Driver Constant Current
- Start Method InstantON
- Hot Re-start InstantON
- Power Supply 350mA
- Driver UL Rating Class 1
- Driver UL Outdoor Rated Wet Location
- Sound Rating Class A
- ANSI Surge Protection IEEE C62.41 C High
- Inrush Current Peak < 10 Amp
- Current Crest Factor 1.5 maximum
- Load Regulation: 5% output current variation across load range
- Line Regulation: 1% output voltage variation across voltage range
- Driver Off-State Draw 0 Watts
- Vibration Compliance 3G
- Universal Input Line Voltage 120-277 VAC
- Input Line Frequency 50/60 Hz
- Projected (L70) @ 25°C > 100,000 hrs.
- Color Temperature 5,000°K
- Color Rendering Index (CRI) > 80
- Minimum Starting Temperature -40°C
- Maximum Starting Temperature +50°C
- Lumens per Watt > 90
- Power Factor > 0.90
- Total Harmonic Distortion < 20%
- FCC Compliance Part 15, Subp. C
- Housing IP Rating IP65
- Driver IP Rating IP67
- Optics IP Rating IP68
- Warranty 10 Year

COVERAGE RECOMMENDATIONS



MOUNTING OPTIONS

Slip Fitter



1-1/2" I.D.
Accepts up to 1-1/4"
Round or Square Pole

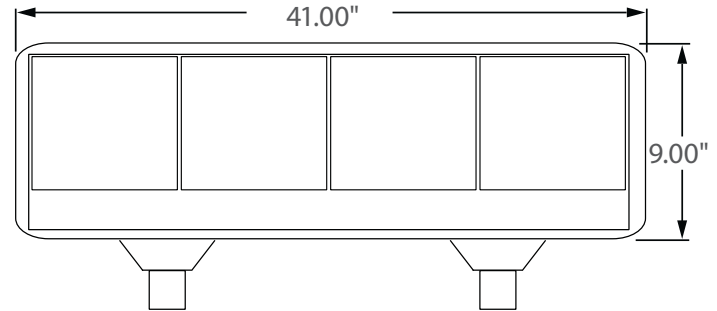
FOR BEST RESULTS

- Fixtures should be mounted at least 6 ft. from the surface of the board
- Fixtures should be mounted at 30° pre-adjusted at factory.

Neptun Light, Inc.
13950 Business Center Drive
Lake Forest, IL 60045
Fax: 847.735.8004

Neptun Light, Inc. reserves the right to change materials or modify the design of its product without notification as part of the company's continuing product improvement program.
©2002-2013 Neptun Light, Inc. All rights reserved.

Spec. Rev. 1-2015



Incredible **100,000** hrs

GENERAL DESCRIPTION

Neptun's LED Ad-Bulletin™ Modular M4 billboard fixtures combine architectural form and patented design to make it an excellent choice for retrofit or new billboard applications. The 120 PCS, High Output Cree LED's and custom engineered optics provide highly uniform illumination of various billboard sizes. It can replace existing HID billboard fixtures up to 400W.

APPLICATION

- 48' Billboard requires 2 Unit

STRUCTURE, MATERIALS, & FEATURES

- Heavy-gauge, die-cast aluminum housing.
- LED engine design with Advanced Thermal Management.
- Corrosion resistant electrocoat grey finish (custom colors available).
- Slim, state of the art, low profile design for minimum wind load resistance.
- Heat and impact resistant tempered flat glass lens.
- Continuous silicone gasketing surrounds optics for IP68 weather tight seal.
- 1-1/2" I.D. Slip Fitter Accepts up to 1-1/4" Pipe or Tenon. (hardware included)
- Correlated Color Temperature of (5000°K) for greater visibility.
- Field selectable Power Input 150-170W.
- Patented constant light control output over 75,000 hrs. life.
- High power factor, low THD driver.
- InstantON flicker-free Cold Start and Hot Re-Start.
- Up to 15 years Maintenance free operation.
- 10 Year Warranty on complete fixture. (LED's, Driver, & Housing)

ORDERING INFORMATION

Sample Number: LED-87150-M4-UNV-0-10VDIM-850-GRY
 Custom options and accessories available. Please consult factory

| Series | Wattage | Voltage | Options | Color Temp. | Color |
|------------------------------------|--|---|---|--------------|---|
| LED-87 = Modular Billboard Fixture | 150-M4 = 150 W 160-M4 = 160 W 170-M4 = 170 W | UNV = 120-277 VAC 347V = 347 VAC 480V = 480 VAC | 0-10VDIM = 0-10V Dimming * Contact Factory for Dimming Options | 850 = 5000°K | GRY = Grey * Custom Colors Available |



lightinnovations@work™

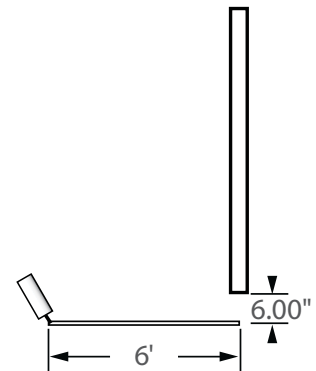
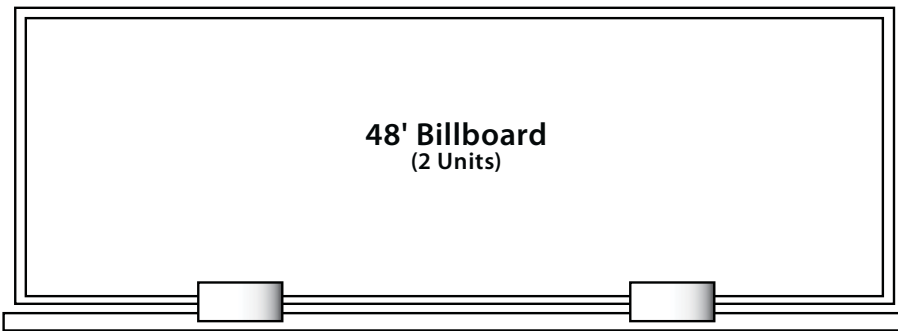
PRODUCT INFORMATION

| Model No. | Description | Rated Watts | Input Watts | Initial Lumens | Universal Line Voltage (VAC) | Max Line Current (Amp) @ 120 - 277 | THD | Power Factor | Weight |
|------------------|-----------------------|-------------|-------------|----------------|------------------------------|------------------------------------|------|--------------|--------|
| LED-87150-M4-UNV | LED Billboard Fixture | 150 | 152 | 15,000 | 120-277 | 1.31 - 0.56 | <20% | >0.90 | 38 lbs |
| LED-87160-M4-UNV | LED Billboard Fixture | 160 | 162 | 16,000 | 120-277 | 1.39 - 0.60 | <20% | >0.90 | 38 lbs |
| LED-87170-M4-UNV | LED Billboard Fixture | 170 | 172 | 17,000 | 120-277 | 1.48 - 0.64 | <20% | >0.90 | 38 lbs |

SPECIFICATIONS

- Driver Constant Current
- Start Method InstantON
- Hot Re-start InstantON
- Power Supply 350mA
- Driver UL Rating Class 1
- Driver UL Outdoor Rated Wet Location
- Sound Rating Class A
- ANSI Surge Protection IEEE C62.41 C High
- Inrush Current Peak < 10 Amp
- Current Crest Factor 1.5 maximum
- Load Regulation: 5% output current variation across load range
- Line Regulation: 1% output voltage variation across voltage range
- Driver Off-State Draw 0 Watts
- Vibration Compliance 3G
- Universal Input Line Voltage 120-277 VAC
- Input Line Frequency 50/60 Hz
- Projected (L70) @ 25°C > 100,000 hrs.
- Color Temperature 5,000°K
- Color Rendering Index (CRI) > 80
- Minimum Starting Temperature -40°C
- Maximum Starting Temperature +50°C
- Lumens per Watt > 90
- Power Factor > 0.90
- Total Harmonic Distortion < 20%
- FCC Compliance Part 15, Subp. C
- Housing IP Rating IP65
- Driver IP Rating IP67
- Optics IP Rating IP68
- Warranty 10 Year

COVERAGE RECOMMENDATIONS



MOUNTING OPTIONS

Slip Fitter



1-1/2" I.D.
Accepts up to 1-1/4"
Round or Square Pole

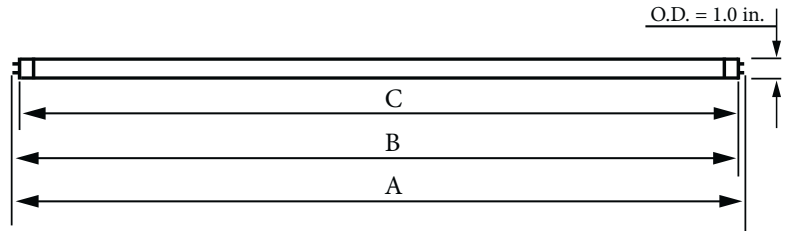
FOR BEST RESULTS

- Fixtures should be mounted at least 6 ft. from the surface of the board
- Fixtures should be mounted at 30° pre-adjusted at factory.

Neptun Light, Inc.
13950 Business Center Drive
Lake Forest, IL 60045
Fax: 847.735.8004

Neptun Light, Inc. reserves the right to change materials or modify the design of its product without notification as part of the company's continuing product improvement program.
©2002-2013 Neptun Light, Inc. All rights reserved.

Spec. Rev. 1-2015



Dimensions in inches

| Product Type | A(max.) | B(max.) | C(max.) |
|--------------|---------|---------|---------|
| 18W (4') | 47.8" | 47.4" | 47.22" |

Incredible 70,000 hrs

GENERAL DESCRIPTION

Neptun's high performance Grow Light LED T8 tubes are designed for the replacement of existing T8 fluorescent lighting systems. Very low temperature operation saves on HVAC costs and long life greatly reduces maintenance costs. The self-ballasted design allows for easy installation into most commonly used T-8 system fixtures.

APPLICATION


- Grow Lighting

STRUCTURE, MATERIALS, & FEATURES

- Full Spectrum LED for grow lighting applications.
- Mercury free design.
- No radiated EMI interference.
- 360 PCS High Output LED's.
- High power factor, low THD internal driver.
- InstantON flicker-free Cold Start and Hot Re-Start.
- Up to 15 years Maintenance free operation.
- 5 Year Warranty.

ORDERING INFORMATION

Sample Number: LED-88018-UNV-FS-1P-R17D
 Custom options and accessories available. Please consult factory

| Source | Series | Wattage | Voltage | Color Temp. | Wiring Config. | Options |
|-----------|---------------|------------|-------------------|--------------------|----------------------------------|---|
| LED = LED | 88 = T8 Tubes | 018 = 18 W | UNV = 120-277 VAC | FS = Full Spectrum | 1P = Single Ended * See Pg. 2 | R17D = Recessed Double Contact Caps  |



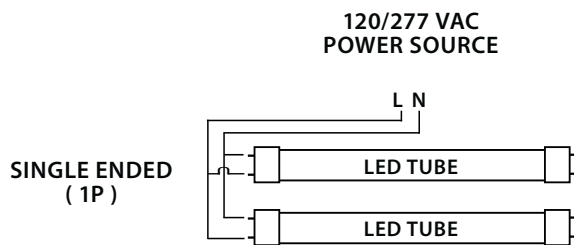
PRODUCT INFORMATION

| Model No. | Watts | Input Line Current (Amp) @ 120 - 277 | Power Factor | THD | Color Temp. CCT (°K) | CRI | Lumens | Lm/W | Nominal Length (Inch) | Base | Beam Angle |
|------------------|-------|--------------------------------------|--------------|------|----------------------|-----|--------|------|-----------------------|--------|------------|
| LED-88018-UNV-FS | 18 | 0.157-0.068 | >0.90 | <20% | Full Spectrum | >80 | 1,620 | 90 | 48" | Bi-Pin | 120° |

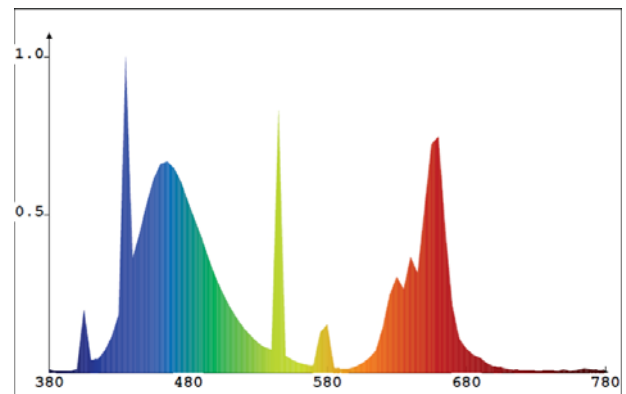
SPECIFICATIONS

- LED Driver Self-Ballasted
- Power Supply 350mA
- Start Method InstantON
- Hot Re-start InstantON
- Universal Input Line Voltage 120-277 VAC
- Input Line Frequency 50/60 Hz
- Ballast Off-State Draw 0 Watts
- Sound Rating Class A
- Projected (L70) @ 25°C > 70,000 hrs.
- Color Temperature Full Spectrum
- P.A.R Range 380nm - 730nm
- Minimum Starting Temperature -35°C
- Maximum Starting Temperature 45°C
- Lumens per Watt > 90
- Shock / Vibration Resistant Yes
- Power Factor > 0.90
- Total Harmonic Distortion < 20%
- ETL Listed / UL Standard 1993 Yes
- FCC Compliance Part 15, Subp. C
- Warranty 5 Year

WIRING DIAGRAM (See Complete Installation Instructions)



SPECTRUM



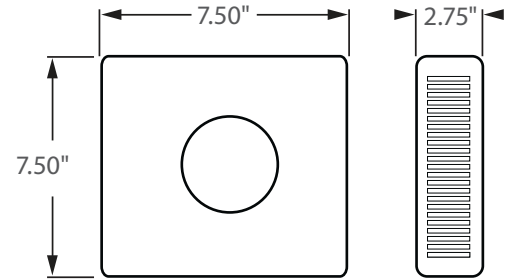
BLUE & RED

Neptun Light, Inc.
13950 Business Center Drive
Lake Forest, IL 60045
Fax: 847.735.8004

Neptun Light, Inc. reserves the right to change materials or modify the design of its product without notification as part of the company's continuing product improvement program.
©2002-2013 Neptun Light, Inc. All rights reserved.

Spec. Rev. 1-2015

FULL SPECTRUM LIGHTING



Incredible **100,000** hrs

GENERAL DESCRIPTION

Neptun's 1 lamp COB LED grow light fixture features a full spectrum lighting design to be used in plant growth applications. The LED-GL1 series fixture features excellent optics and its rugged design allows for use in a variety of indoor growing applications. Low operating temperature and high efficiency design allows for optimal energy savings vs. metal halide and HPS lighting systems.

APPLICATION

- Plant growth lighting

STRUCTURE, MATERIALS, & FEATURES

- Heavy-gauge, die-cast aluminum housing.
- Corrosion resistant electrocoat black finish.
- 4 mounting hooks with adjustable Gripple hanging system.
- On / Off power switch with detachable power cord.
- LED engine design with Advanced Thermal Management.
- High Output full spectrum COB LED's.
- High power factor, low THD driver.
- Full spectrum wave length (380nm - 730nm)
- Instant-On flicker-free Cold Start and Hot Re-Start.
- Up to 15 year maintenance free operation.
- 5 Year Warranty on complete fixture. (LED's, Driver, & Housing)

ORDERING INFORMATION

Sample Number: LED-GL1-090-UNV-FS-C3
 Custom options and accessories available. Please consult factory

| Series | Wattage | Voltage | Color Temp | Accessories |
|---------------------------------------|------------|---|--------------------|---|
| LED-GL1 = Grow Light Fixture - 1 Lamp | 090 = 90 W | UNV = 120-277 VAC 347V = 347 VAC 480V = 480 VAC | FS = Full Spectrum | C3* = 3' Cord-No Plug (other lengths available C6 = 6' cord) PC3 = 3' Cord with NEMA Plug (verify plug type when ordering) |



PRODUCT INFORMATION

| Model No. | Description | Rated Watts | Input Watts | Initial Lumens | Universal Line Voltage (VAC) | Max Line Current (Amp) @ 120 - 277 | THD | Power Factor | Weight |
|-----------------|------------------------|-------------|-------------|----------------|------------------------------|------------------------------------|------|--------------|--------|
| LED-GL1-090-UNV | LED Grow Light Fixture | 90 | 92 | 5,850 | 120-277 | 0.78 - 0.34 | <20% | >0.90 | 8 lbs |

SPECIFICATIONS

- LED Driver Constant Current
- Power Supply 350mA
- Driver UL Rating Class 1
- Driver UL Outdoor Rated Wet Location
- Start Method InstantON
- Hot Re-start InstantON
- Universal Input Line Voltage 120-277 VAC
- Input Line Frequency 50/60 Hz
- Ballast Off-State Draw 0 Watts
- Sound Rating Class A
- Projected (L70) @ 25°C > 100,000 hrs.
- Color Temperatures Full Spectrum
- P.A.R Range 380nm - 730nm
- Minimum Starting Temperature -40°C
- Maximum Starting Temperature +50°C
- Lumens per Watt > 60
- Shock / Vibration Resistant Yes
- Power Factor > 0.90
- Total Harmonic Distortion < 20%
- Inrush Current Peak < 10 Amp
- FCC Compliance Part 15, Subp. C
- Optics IP Rating IP68
- Driver IP Rating IP67
- Warranty 5 Year

MOUNTING OPTIONS

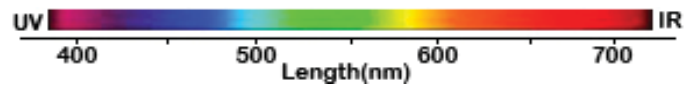
Hanging Mount



Grippler Hangers Supplied



FULL SPECTRUM

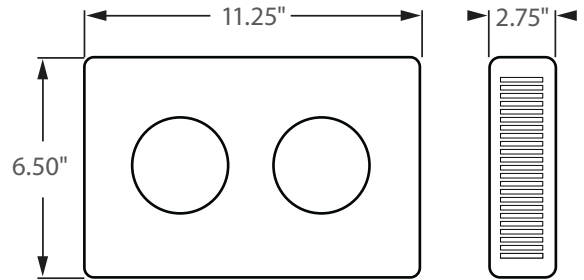


Neptun Light, Inc.
13950 Business Center Drive
Lake Forest, IL 60045
Fax: 847.735.8004

Neptun Light, Inc. reserves the right to change materials or modify the design of its product without notification as part of the company's continuing product improvement program.
©2002-2013 Neptun Light, Inc. All rights reserved.

Spec. Rev. 1-2015

FULL SPECTRUM LIGHTING



Incredible **100,000** hrs

GENERAL DESCRIPTION

Neptun's 2 lamp LED grow light fixture features a full spectrum lighting design to be used in plant growth applications. The LED-GL2 series fixture features excellent optics and its rugged design allows for use in a variety of indoor growing applications. Low operating temperature and high efficiency design allows for optimal energy savings vs. metal halide and HPS lighting systems.

APPLICATION

- Plant growth lighting

STRUCTURE, MATERIALS, & FEATURES

- Heavy-gauge, die-cast aluminum housing.
- Corrosion resistant electrocoat black finish.
- 4 mounting hooks with adjustable Gripple hanging system.
- On / Off power switch with detachable power cord.
- LED engine design with Advanced Thermal Management.
- High Output full spectrum COB LED's.
- High power factor, low THD driver.
- Full spectrum wave length (380nm - 730nm)
- Instant-On flicker-free Cold Start and Hot Re-Start.
- Up to 15 year maintenance free operation.
- 5 Year Warranty on complete fixture. (LED's, Driver, & Housing)

ORDERING INFORMATION

Sample Number: LED-GL2-180-UNV-FS-C3
 Custom options and accessories available. Please consult factory

| Series | Wattage | Voltage | Color Temp | Accessories |
|---------------------------------------|-------------|---|--------------------|---|
| LED-GL2 = Grow Light Fixture - 2 Lamp | 180 = 180 W | UNV = 120-277 VAC 347V = 347 VAC 480V = 480 VAC | FS = Full Spectrum | C3* = 3' Cord-No Plug (other lengths available C6 = 6' cord) PC3 = 3' Cord with NEMA Plug (verify plug type when ordering) |



PRODUCT INFORMATION

| Model No. | Description | Rated Watts | Input Watts | Initial Lumens | Universal Line Voltage (VAC) | Max Line Current (Amp) @ 120 - 277 | THD | Power Factor | Weight |
|-----------------|------------------------|-------------|-------------|----------------|------------------------------|------------------------------------|------|--------------|--------|
| LED-GL2-180-UNV | LED Grow Light Fixture | 180 | 182 | 11,700 | 120-277 | 1.57 - 0.68 | <20% | >0.90 | 10 lbs |

SPECIFICATIONS

- LED Driver Constant Current
- Power Supply 350mA
- Driver UL Rating Class 1
- Driver UL Outdoor Rated Wet Location
- Start Method InstantON
- Hot Re-start InstantON
- Universal Input Line Voltage 120-277 VAC
- Input Line Frequency 50/60 Hz
- Ballast Off-State Draw 0 Watts
- Sound Rating Class A
- Projected (L70) @ 25°C > 100,000 hrs.
- Color Temperatures Full Spectrum
- P.A.R Range 380nm - 730nm
- Minimum Starting Temperature -40°C
- Maximum Starting Temperature +50°C
- Lumens per Watt > 60
- Shock / Vibration Resistant Yes
- Power Factor > 0.90
- Total Harmonic Distortion < 20%
- Inrush Current Peak < 10 Amp
- FCC Compliance Part 15, Subp. C
- Optics IP Rating IP68
- Driver IP Rating IP67
- Warranty 5 Year

MOUNTING OPTIONS

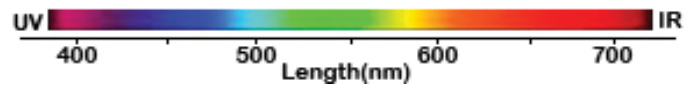
Hanging Mount



Gripple Hangers
Supplied



FULL SPECTRUM



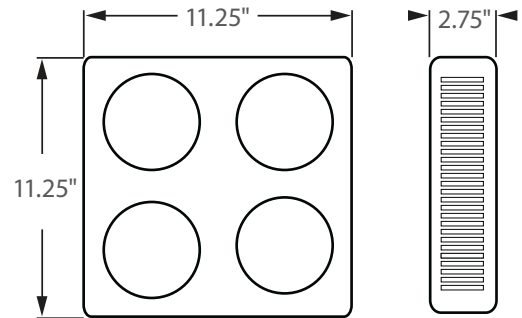
Neptun Light, Inc.
13950 Business Center Drive
Lake Forest, IL 60045
Fax: 847.735.8004

Neptun Light, Inc. reserves the right to change materials or modify the design of its product without notification as part of the company's continuing product improvement program.
©2002-2013 Neptun Light, Inc. All rights reserved.

Spec. Rev. 1-2015



FULL SPECTRUM LIGHTING



Incredible 100,000 hrs

GENERAL DESCRIPTION

Neptun's 4 lamp LED grow light fixture features a full spectrum lighting design to be used in plant growth applications. The LED-GL4 series fixture features excellent optics and its rugged design allows for use in a variety of indoor growing applications. Low operating temperature and high efficiency design allows for optimal energy savings vs. metal halide and HPS lighting systems.

APPLICATION

- Plant growth lighting

STRUCTURE, MATERIALS, & FEATURES

- Heavy-gauge, die-cast aluminum housing.
- Corrosion resistant electrocoat black finish.
- 4 mounting hooks with adjustable Gripple hanging system.
- On / Off power switch with detachable power cord.
- LED engine design with Advanced Thermal Management.
- High Output full spectrum COB LED's.
- High power factor, low THD driver.
- Full spectrum wave length (380nm - 730nm)
- Instant-On flicker-free Cold Start and Hot Re-Start.
- Up to 15 year maintenance free operation.
- 5 Year Warranty on complete fixture. (LED's, Driver, & Housing)

ORDERING INFORMATION

Sample Number: LED-GL4-360-UNV-FS-C3
Custom options and accessories available. Please consult factory

| Series | Wattage | Voltage | Color Temp | Accessories |
|---------------------------------------|-------------|---|--------------------|---|
| LED-GL4 = Grow Light Fixture - 4 Lamp | 360 = 360 W | UNV = 120-277 VAC 347V = 347 VAC 480V = 480 VAC | FS = Full Spectrum | C3* = 3' Cord-No Plug (other lengths available C6 = 6' cord) PC3 = 3' Cord with NEMA Plug (verify plug type when ordering) |



PRODUCT INFORMATION

| Model No. | Description | Rated Watts | Input Watts | Initial Lumens | Universal Line Voltage (VAC) | Max Line Current (Amp) @ 120 - 277 | THD | Power Factor | Weight |
|-----------------|------------------------|-------------|-------------|----------------|------------------------------|------------------------------------|------|--------------|--------|
| LED-GL4-360-UNV | LED Grow Light Fixture | 360 | 362 | 23,400 | 120-277 | 3.15 - 1.36 | <20% | >0.90 | 15 lbs |

SPECIFICATIONS

- LED Driver Constant Current
- Power Supply 350mA
- Driver UL Rating Class 1
- Driver UL Outdoor Rated Wet Location
- Start Method InstantON
- Hot Re-start InstantON
- Universal Input Line Voltage 120-277 VAC
- Input Line Frequency 50/60 Hz
- Ballast Off-State Draw 0 Watts
- Sound Rating Class A
- Projected (L70) @ 25°C > 100,000 hrs.
- Color Temperatures Full Spectrum
- P.A.R Range 380nm - 730nm
- Minimum Starting Temperature -40°C
- Maximum Starting Temperature +50°C
- Lumens per Watt > 60
- Shock / Vibration Resistant Yes
- Power Factor > 0.90
- Total Harmonic Distortion < 20%
- Inrush Current Peak < 10 Amp
- FCC Compliance Part 15, Subp. C
- Optics IP Rating IP68
- Driver IP Rating IP67
- Warranty 5 Year

MOUNTING OPTIONS

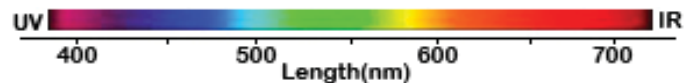
Hanging Mount



Grippler Hangers Supplied



FULL SPECTRUM



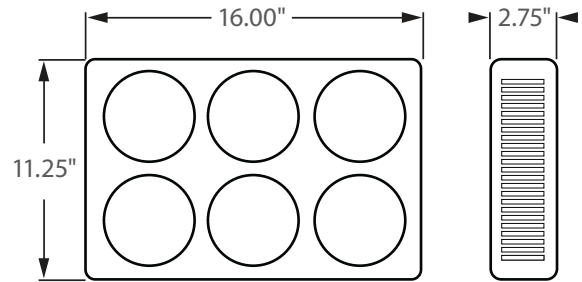
Neptun Light, Inc.
 13950 Business Center Drive
 Lake Forest, IL 60045
 Fax: 847.735.8004

Neptun Light, Inc. reserves the right to change materials or modify the design of its product without notification as part of the company's continuing product improvement program.
 ©2002-2013 Neptun Light, Inc. All rights reserved.

Spec. Rev. 1-2015



FULL SPECTRUM LIGHTING



Incredible 100,000 hrs

GENERAL DESCRIPTION

Neptun's 6 lamp LED grow light fixture features a full spectrum lighting design to be used in plant growth applications. The LED-GL6 series fixture features excellent optics and its rugged design allows for use in a variety of indoor growing applications. Low operating temperature and high efficiency design allows for optimal energy savings vs. metal halide and HPS lighting systems.

APPLICATION

- Plant growth lighting

STRUCTURE, MATERIALS, & FEATURES

- Heavy-gauge, die-cast aluminum housing.
- Corrosion resistant electrocoat black finish.
- 4 mounting hooks with adjustable Gripple hanging system.
- On / Off power switch with detachable power cord.
- LED engine design with Advanced Thermal Management.
- High Output full spectrum COB LED's.
- High power factor, low THD driver.
- Full spectrum wave length (380nm - 730nm)
- Instant-On flicker-free Cold Start and Hot Re-Start.
- Up to 15 year maintenance free operation.
- 5 Year Warranty on complete fixture. (LED's, Driver, & Housing)

ORDERING INFORMATION

Sample Number: LED-GL6-540-UNV-FS-C3
Custom options and accessories available. Please consult factory

| Series | Wattage | Voltage | Color Temp | Accessories |
|---------------------------------------|-------------|---|--------------------|---|
| LED-GL6 = Grow Light Fixture - 6 Lamp | 540 = 540 W | UNV = 120-277 VAC 347V = 347 VAC 480V = 480 VAC | FS = Full Spectrum | C3* = 3' Cord-No Plug (other lengths available C6 = 6' cord) PC3 = 3' Cord with NEMA Plug (verify plug type when ordering) |



PRODUCT INFORMATION

| Model No. | Description | Rated Watts | Input Watts | Initial Lumens | Universal Line Voltage (VAC) | Max Line Current (Amp) @ 120 - 277 | THD | Power Factor | Weight |
|-----------------|------------------------|-------------|-------------|----------------|------------------------------|------------------------------------|------|--------------|--------|
| LED-GL6-540-UNV | LED Grow Light Fixture | 540 | 542 | 35,100 | 120-277 | 4.72 - 2.04 | <20% | >0.90 | 18 lbs |

SPECIFICATIONS

- LED Driver Constant Current
- Power Supply 350mA
- Driver UL Rating Class 1
- Driver UL Outdoor Rated Wet Location
- Start Method InstantON
- Hot Re-start InstantON
- Universal Input Line Voltage 120-277 VAC
- Input Line Frequency 50/60 Hz
- Ballast Off-State Draw 0 Watts
- Sound Rating Class A
- Projected (L70) @ 25°C > 100,000 hrs.
- Color Temperatures Full Spectrum
- P.A.R Range 380nm - 730nm
- Minimum Starting Temperature -40°C
- Maximum Starting Temperature +50°C
- Lumens per Watt > 60
- Shock / Vibration Resistant Yes
- Power Factor > 0.90
- Total Harmonic Distortion < 20%
- Inrush Current Peak < 10 Amp
- FCC Compliance Part 15, Subp. C
- Optics IP Rating IP68
- Driver IP Rating IP67
- Warranty 5 Year

MOUNTING OPTIONS

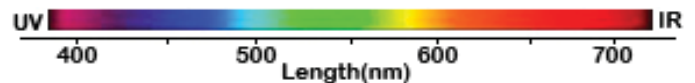
Hanging Mount



Grippler Hangers Supplied



FULL SPECTRUM



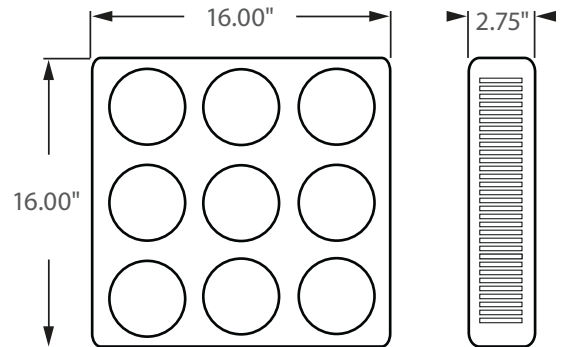
Neptun Light, Inc.
13950 Business Center Drive
Lake Forest, IL 60045
Fax: 847.735.8004

Neptun Light, Inc. reserves the right to change materials or modify the design of its product without notification as part of the company's continuing product improvement program.
©2002-2013 Neptun Light, Inc. All rights reserved.

Spec. Rev. 1-2015



FULL SPECTRUM LIGHTING



Incredible 100,000 hrs

GENERAL DESCRIPTION

Neptun's 9 lamp LED grow light fixture features a full spectrum lighting design to be used in plant growth applications. The LED-GL9 series fixture features excellent optics and its rugged design allows for use in a variety of indoor growing applications. Low operating temperature and high efficiency design allows for optimal energy savings vs. metal halide and HPS lighting systems.

APPLICATION

- Plant growth lighting

STRUCTURE, MATERIALS, & FEATURES

- Heavy-gauge, die-cast aluminum housing.
- Corrosion resistant electrocoat black finish.
- 4 mounting hooks with adjustable Gripple hanging system.
- On / Off power switch with detachable power cord.
- LED engine design with Advanced Thermal Management.
- High Output full spectrum COB LED's.
- High power factor, low THD driver.
- Full spectrum wave length (380nm - 730nm)
- Instant-On flicker-free Cold Start and Hot Re-Start.
- Up to 15 year maintenance free operation.
- 5 Year Warranty on complete fixture. (LED's, Driver, & Housing)

ORDERING INFORMATION

Sample Number: LED-GL9-810-UNV-FS-C3
Custom options and accessories available. Please consult factory

| Series | Wattage | Voltage | Color Temp | Accessories |
|---------------------------------------|-------------|---|--------------------|---|
| LED-GL9 = Grow Light Fixture - 9 Lamp | 810 = 810 W | UNV = 120-277 VAC 347V = 347 VAC 480V = 480 VAC | FS = Full Spectrum | C3* = 3' Cord-No Plug (other lengths available C6 = 6' cord) PC3 = 3' Cord with NEMA Plug (verify plug type when ordering) |



PRODUCT INFORMATION

| Model No. | Description | Rated Watts | Input Watts | Initial Lumens | Universal Line Voltage (VAC) | Max Line Current (Amp) @ 120 - 277 | THD | Power Factor | Weight |
|-----------------|------------------------|-------------|-------------|----------------|------------------------------|------------------------------------|------|--------------|--------|
| LED-GL9-810-UNV | LED Grow Light Fixture | 810 | 812 | 52,650 | 120-277 | 7.08 - 3.07 | <20% | >0.90 | 20 lbs |

SPECIFICATIONS

- LED Driver Constant Current
- Power Supply 350mA
- Driver UL Rating Class 1
- Driver UL Outdoor Rated Wet Location
- Start Method InstantON
- Hot Re-start InstantON
- Universal Input Line Voltage 120-277 VAC
- Input Line Frequency 50/60 Hz
- Ballast Off-State Draw 0 Watts
- Sound Rating Class A
- Projected (L70) @ 25°C > 100,000 hrs.
- Color Temperatures Full Spectrum
- P.A.R Range 380nm - 730nm
- Minimum Starting Temperature -40°C
- Maximum Starting Temperature +50°C
- Lumens per Watt > 60
- Shock / Vibration Resistant Yes
- Power Factor > 0.90
- Total Harmonic Distortion < 20%
- Inrush Current Peak < 10 Amp
- FCC Compliance Part 15, Subp. C
- Optics IP Rating IP68
- Driver IP Rating IP67
- Warranty 5 Year

MOUNTING OPTIONS

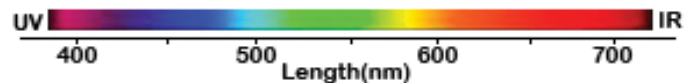
Hanging Mount



Gripple Hangers Supplied



FULL SPECTRUM



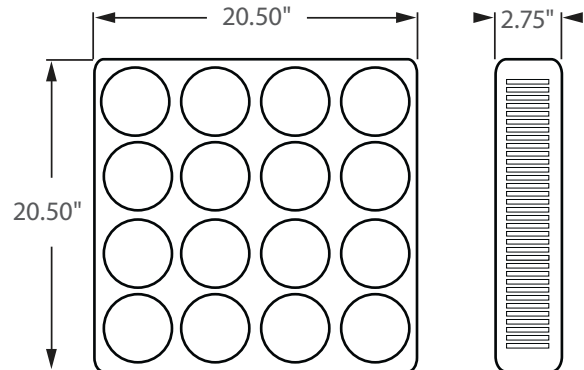
Neptun Light, Inc.
13950 Business Center Drive
Lake Forest, IL 60045
Fax: 847.735.8004

Neptun Light, Inc. reserves the right to change materials or modify the design of its product without notification as part of the company's continuing product improvement program.
©2002-2013 Neptun Light, Inc. All rights reserved.

Spec. Rev. 1-2015



FULL SPECTRUM LIGHTING



Incredible 100,000 hrs

GENERAL DESCRIPTION

Neptun's 16 lamp LED grow light fixture features a full spectrum lighting design to be used in plant growth applications. The LED-GL16 series fixture features excellent optics and its rugged design allows for use in a variety of indoor growing applications. Low operating temperature and high efficiency design allows for optimal energy savings vs. metal halide and HPS lighting systems.

APPLICATION

- Plant growth lighting

STRUCTURE, MATERIALS, & FEATURES

- Heavy-gauge, die-cast aluminum housing.
- Corrosion resistant electrocoat black finish.
- 4 mounting hooks with adjustable Gripple hanging system.
- On / Off power switch with detachable power cord.
- LED engine design with Advanced Thermal Management.
- High Output full spectrum COB LED's.
- High power factor, low THD driver.
- Full spectrum wave length (380nm - 730nm)
- Instant-On flicker-free Cold Start and Hot Re-Start.
- Up to 15 year maintenance free operation.
- 5 Year Warranty on complete fixture. (LED's, Driver, & Housing)

ORDERING INFORMATION

Sample Number: LED-GL16-1440-UNV-FS-C3
 Custom options and accessories available. Please consult factory

| Series | Wattage | Voltage | Color Temp | Accessories |
|---|---------------|-------------------|--------------------|---|
| LED-GL16 = Grow Light Fixture - 16 Lamp | 1440 = 1440 W | UNV = 120-277 VAC | FS = Full Spectrum | C3* = 3' Cord-No Plug (other lengths available C6 = 6' cord) PC3 = 3' Cord with NEMA Plug (verify plug type when ordering) |



PRODUCT INFORMATION

| Model No. | Description | Rated Watts | Input Watts | Initial Lumens | Universal Line Voltage (VAC) | Max Line Current (Amp) @ 120 - 277 | THD | Power Factor | Weight |
|-------------------|------------------------|-------------|-------------|----------------|------------------------------|------------------------------------|------|--------------|--------|
| LED-GL16-1440-UNV | LED Grow Light Fixture | 1,440 | 1,442 | 93,600 | 120-277 | 12.6 - 5.45 | <20% | >0.90 | 25 lbs |

SPECIFICATIONS

- LED Driver Constant Current
- Power Supply 350mA
- Driver UL Rating Class 1
- Driver UL Outdoor Rated Wet Location
- Start Method InstantON
- Hot Re-start InstantON
- Universal Input Line Voltage 120-277 VAC
- Input Line Frequency 50/60 Hz
- Ballast Off-State Draw 0 Watts
- Sound Rating Class A
- Projected (L70) @ 25°C > 100,000 hrs.
- Color Temperatures Full Spectrum
- P.A.R Range 380nm - 730nm
- Minimum Starting Temperature -40°C
- Maximum Starting Temperature +50°C
- Lumens per Watt > 60
- Shock / Vibration Resistant Yes
- Power Factor > 0.90
- Total Harmonic Distortion < 20%
- Inrush Current Peak < 10 Amp
- FCC Compliance Part 15, Subp. C
- Optics IP Rating IP68
- Driver IP Rating IP67
- Warranty 5 Year

MOUNTING OPTIONS

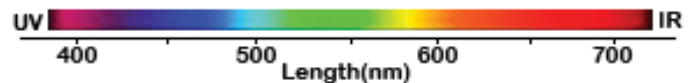
Hanging Mount



Gripple Hangers Supplied



FULL SPECTRUM

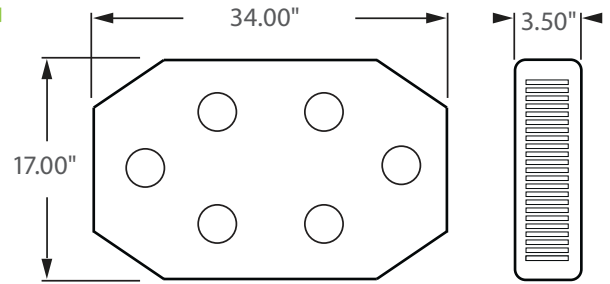


Neptun Light, Inc.
13950 Business Center Drive
Lake Forest, IL 60045
Fax: 847.735.8004

Neptun Light, Inc. reserves the right to change materials or modify the design of its product without notification as part of the company's continuing product improvement program.
©2002-2013 Neptun Light, Inc. All rights reserved.

Spec. Rev. 1-2015

FULL SPECTRUM LIGHTING



Incredible **100,000** hrs

GENERAL DESCRIPTION

Neptun's 6 lamp LED grow light fixture features a full spectrum lighting design to be used in plant growth applications. The LED-GL6 series fixture features excellent optics and its rugged design allows for use in a variety of indoor growing applications. Low operating temperature and high efficiency design allows for optimal energy savings vs. metal halide and HPS lighting systems.

APPLICATION

- Plant growth lighting

STRUCTURE, MATERIALS, & FEATURES

- Heavy-gauge, die-cast aluminum housing.
- Corrosion resistant electrocoat orange finish.
- 4 mounting hooks with adjustable Gripple hanging system.
- On / Off power switch with detachable power cord.
- LED engine design with Advanced Thermal Management.
- High Output full spectrum COB LED's.
- High power factor, low THD driver.
- Full spectrum wave length (380nm - 730nm)
- Instant-On flicker-free Cold Start and Hot Re-Start.
- Up to 15 year maintenance free operation.
- 5 Year Warranty on complete fixture. (LED's, Driver, & Housing)

ORDERING INFORMATION

Sample Number: LED-GL6-900-UNV-FS-C3
 Custom options and accessories available. Please consult factory

| Series | Wattage | Voltage | Color Temp | Accessories |
|---------------------------------------|-------------|---|--------------------|---|
| LED-GL6 = Grow Light Fixture - 6 Lamp | 900 = 900 W | UNV = 120-277 VAC 347V = 347 VAC 480V = 480 VAC | FS = Full Spectrum | C3* = 3' Cord-No Plug (other lengths available C6 = 6' cord) PC3 = 3' Cord with NEMA Plug (verify plug type when ordering) |



PRODUCT INFORMATION

| Model No. | Description | Rated Watts | Input Watts | Initial Lumens | Universal Line Voltage (VAC) | Max Line Current (Amp) @ 120 - 277 | THD | Power Factor | Weight |
|-----------------|------------------------|-------------|-------------|----------------|------------------------------|------------------------------------|------|--------------|--------|
| LED-GL6-900-UNV | LED Grow Light Fixture | 900 | 902 | 54,000 | 120-277 | 7.87 - 3.41 | <20% | >0.90 | 25 lbs |

SPECIFICATIONS

- LED Driver Constant Current
- Power Supply 350mA
- Driver UL Rating Class 1
- Driver UL Outdoor Rated Wet Location
- Start Method InstantON
- Hot Re-start InstantON
- Universal Input Line Voltage 120-277 VAC
- Input Line Frequency 50/60 Hz
- Ballast Off-State Draw 0 Watts
- Sound Rating Class A
- Projected (L70) @ 25°C > 100,000 hrs.
- Color Temperatures Full Spectrum
- P.A.R Range 380nm - 730nm
- Minimum Starting Temperature -40°C
- Maximum Starting Temperature +50°C
- Lumens per Watt > 60
- Shock / Vibration Resistant Yes
- Power Factor > 0.90
- Total Harmonic Distortion < 20%
- Inrush Current Peak < 10 Amp
- FCC Compliance Part 15, Subp. C
- Optics IP Rating IP68
- Driver IP Rating IP67
- Warranty 5 Year

MOUNTING OPTIONS

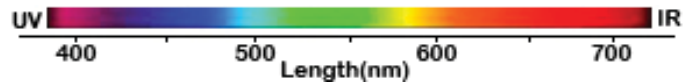
Hanging Mount



Grippler Hangers
Supplied



FULL SPECTRUM



Neptun Light, Inc.
13950 Business Center Drive
Lake Forest, IL 60045
Fax: 847.735.8004

Neptun Light, Inc. reserves the right to change materials or modify the design of its product without notification as part of the company's continuing product improvement program.
©2002-2013 Neptun Light, Inc. All rights reserved.

Spec. Rev. 1-2015



LED Lighting Limited Warranty

NEPTUN Light, Inc ("NEPTUN"), 13950 Business Center Dr, Lake Forest, IL 60045 warrants that its LED (Light Emitting Diodes) light bulbs and LED lighting systems will be free from defect in material and workmanship from the date of installation for **5 years**

This warranty is conditioned upon proper storage, installation, use and maintenance. This warranty is not applicable to any Neptun LED lighting products which are not installed and operated in accordance with the current edition of the National Electric Code (NEC), the Standards for Safety of Underwriter's Laboratories, INC (UL), the Standards of the American National Standards Institute (ANSI), and with NEPTUN's instructions and guidelines for LED bulb and LED lighting systems. This warranty is not applicable to any Neptun LED lighting products subjected to abnormal stresses and operating conditions.

NEPTUN shall correct any defects, at NEPTUN's option, by either repairing any defective part or parts or by replacing any defective part or parts or by making available a new replacement part at no charge.

The conditions of any test concerning any Neptun LED products which are claimed to have not performed to the warranty shall be mutually agreed upon in writing and NEPTUN shall be notified of, and may be represented at any such tests. This express limited warranty is extended by NEPTUN only to original or first end-user purchaser.

This warranty is valid only if registered by end-user, purchaser, upon receipt by NEPTUN of the WARRANTY REGISTRATION FORM with specific information about the LED light bulb and LED lighting system installation. Product Warranty only valid once invoice is paid in full according to terms.

NO IMPLIED STATUTORY WARRANTY OF MERCHANTABILITY OR FITNESS FOR A PARTICULAR PURPOSE SHALL APPLY BEYOND THE AFOREMENTIONED WARRANTY PERIOD. The foregoing warranty is exclusive of all other statutory, written or oral warranties, and no other warranties of any kind, statutory or otherwise, are given or herein expressed. This warranty sets forth NEPTUN's responsibilities regarding the Neptun LED lighting systems and claimant's exclusive remedy.

LIMITATION OF LIABILITY. NEPTUN will not under any circumstances whether as a result of breach of contract, breach of warranty, tort, strict liability or otherwise be liable for consequential, incidental, special or exemplary damages including but not limited to, loss of profits or revenues, loss of use of Neptun LED products or any other goods or associated equipment or damage to any associated equipment, cost of capital, cost of substitute products, facilities of services, down time cost, or claims of claimant's customers.

NEPTUN's liability or any claim of any kind for any loss or damages arising out of, resulting from or concerning any aspect of this agreement or from the product or services furnished hereunder shall not exceed the price of the specific LED product which gives rise to the claim.

This warranty gives the claimant specific legal rights. The claimant may also have other rights which vary from state to state.

NOTE: For more information please call Customer Service at 1-888-735-8330 or email: orders@neptunlight.com

Revision Date: February, 2015



LED Lighting Limited Warranty

NEPTUN Light, Inc ("NEPTUN"), 13950 Business Center Dr., Lake Forest, IL 60045 warrants that its LED (Light Emitting Diodes) Fixtures utilizing COB (Chip on Board) technology with Glass Lens design will be free from defect in material and workmanship from the date of installation for **10 years**.

This warranty is conditioned upon proper storage, installation, use and maintenance. This warranty is not applicable to any Neptun LED COB lighting products which are not installed and operated in accordance with the current edition of the National Electrical Code (NEC), the Standards for Safety of Underwrites' Laboratories, INC. (UL), the Standards of the American National Standards Institute (ANSI), and with NEPTUN's instruction and guidelines for the LED COB lighting systems. This warranty is not applicable to any Neptun LED COB lighting products subjected to abnormal stresses and operating conditions

NEPTUN shall correct any defects, at NEPTUN's option, by either repairing any defective part or parts or by replacing any defective part or parts or by making available a new replacement part at no charge.

The conditions of any tests concerning any NEPTUN LED COB products which are claimed to have not performed to this warranty shall be mutually agreed upon in writing and NEPTUN shall be notified of, and may be represented at any such tests. This express limited warranty is extended by NEPTUN only to be the original or first end-user purchaser.

This warranty is valid only if registered by end-user, purchaser, upon receipt by NEPTUN of the WARRANTY REGISTRATION FORM with specific information about the LED COB lighting system installation. Product Warranty only valid once invoice is paid in full according to terms.

NO IMPLIED STATUTORY WARRANTY OF MERCHANTABILITY OR FITNESS FOR A PARTICULAR PURPOSE SHALL APPLY BEYOND THE AFOREMENTIONED WARRANTY PERIOD. The foregoing warranty is exclusive of all other statutory, written or oral warranties, and no other warranties of any kind, statutory or otherwise, are given or herein expressed. This warranty sets forth NEPTUN's responsibilities regarding the Neptun LED COB lighting system and claimant's exclusive remedy.

LIMITATION OF LIABILITY. NEPTUN will not under any circumstances whether as a result of breach of contract, breach of warranty, tort, strict liability or otherwise be liable for consequential, incidental, special or exemplary damages including but not limited to, loss of profits or revenues, loss of use of NEPTUN LED COB products or any other goods or associated equipment or damage to any associated equipment, cost of capital, cost of substitute products, facilities of services, down time cost, or claims or claimant's customers.

NEPTUN's liability on any claim of any kind for any loss or damages arising out of, resulting from or concerning any aspect of this agreement of from the product or services furnished hereunder shall not exceed the price of the specific LED COB product which gives rise to the claim.

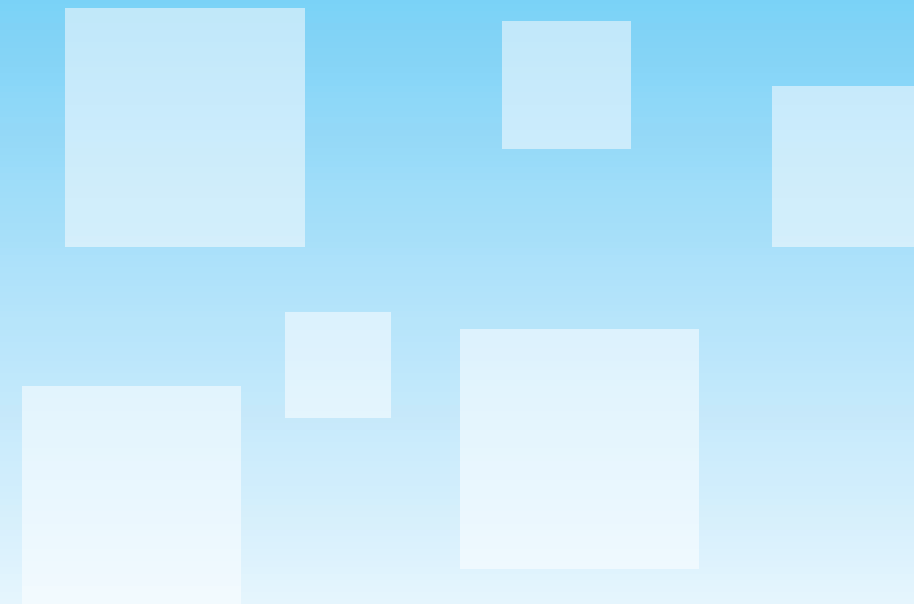
This warranty gives the claimant specific legal rights. The claimant may also have other rights which vary from state to state.

NOTE: For more information please call Customer Service at 1-888-735-8330 or email: orders@neptunlight.com



*lightinnovations@work*TM

Neptun Light is a leader in the manufacture of energy efficient retrofit products and light fixtures in the fields of LED, Induction, and Solar technology. We boast a highly diversified product portfolio of indoor and outdoor products. Additionally, our products span a wide range of commercial, industrial, government, and utility infrastructure applications. Neptun Light achieves its level of success through timely development of new technology that caters to a constantly evolving marketplace. Among Neptun Light's core values are continuous innovation, high quality products, a focus on energy conservation, and an uncompromised commitment to customer service.



Neptun Light, Inc.

13950 Business Center Dr.
Lake Forest, Illinois 60045 USA
Tel: (888) 735-8330
Fax: (847) 735-8004
www.NeptunLight.com

